



FIRE-RATED



HOSE STREAM TESTED



HEAT BARRIER



POSITIVE PRESSURE TESTED



## FIREFRAMES SG CURTAINWALL™ SERIES - PATENT PENDING

With the Fireframes SG Curtainwall™ Series, design professionals can now create large, fire-rated glazed walls with the smooth, monolithic appearance of a structural silicone glazed system. The patent pending, fire-rated toggle retention system allows for rapid installation of fire-rated Pilkington Pyrostop® glass while being completely hidden once installed. These features, combined with narrow steel frames allow high strength, clean sightlines and up to 90 minutes of fire resistance. Fabricated in the United States, Fireframes SG Curtainwall frames are listed and labeled with UL and ULC.

## FEATURES

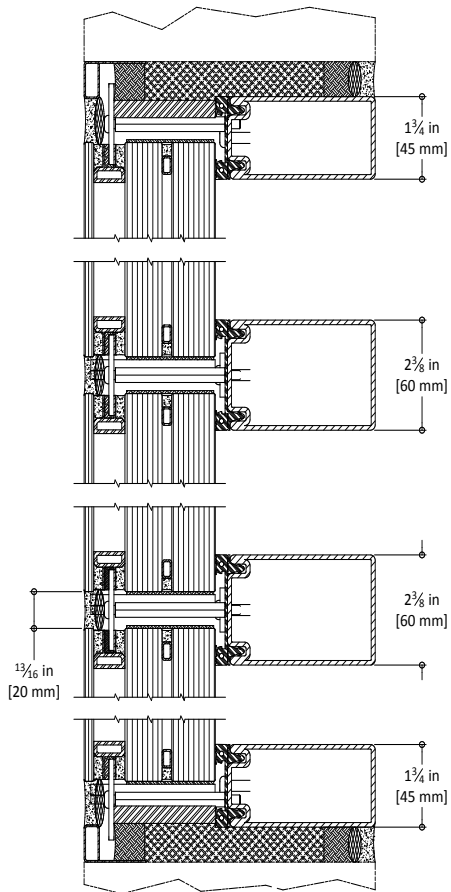
- Fire ratings of 60 or 90 minutes
- Silicone sealed for a smooth monolithic appearance, no pressure plates or caps
- Unrestricted glazing area for use in locations where total glazing exceeds 25% of wall area
- Full-lite doors available in single leaf or double leaf design (see Fireframes® Designer Series or Fireframes® Heat Barrier Series)
- For interior or exterior use (contact TGP to review exterior applications)
- Durable steel frames ensure low maintenance system
- Narrow steel profiles
- Unique toggle glazing retention system
- Shear block fabrication system
- Frames supplied "K.D." (knock-down) or welded depending on application
- Finish painted at the factory to match desired color scheme
- Fabricated in the U.S.A.

## LISTINGS

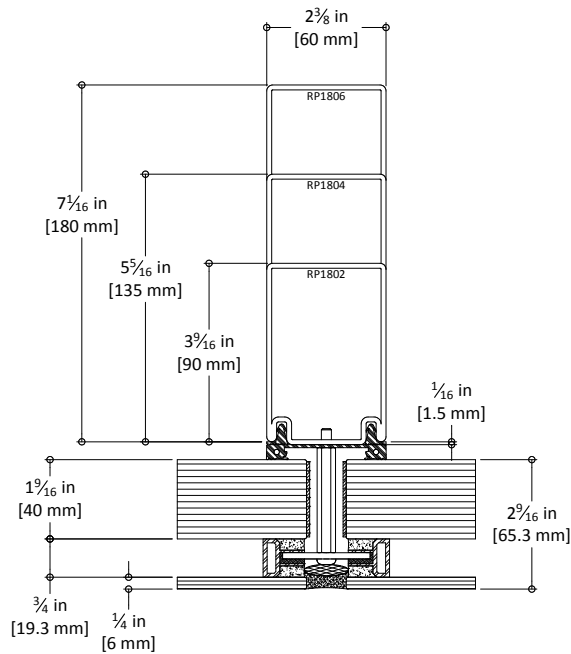
Listed and labeled by Underwriters Laboratories Inc. as Design Number U537 and Underwriters Laboratories of Canada as Design Number W473. Frame tests performed in accordance with ASTM E-119 (60-90 minutes), NFPA 251 and UL 263.

## SIZING GUIDELINES

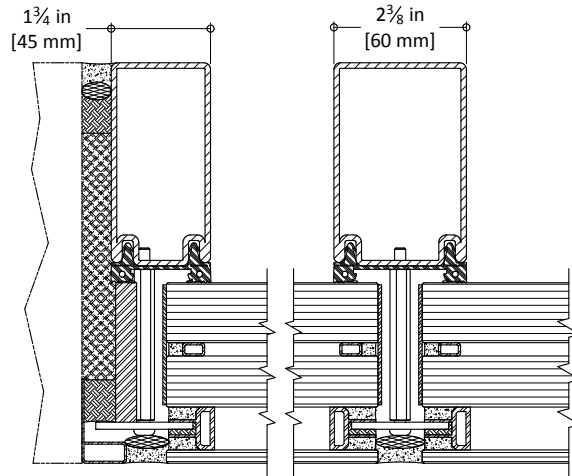
FRAME RATING	MAX. EXPOSED AREA (SQ. IN. / SQ. FT.)	MAX WIDTH OF EXPOSED GLAZING (IN.)
60/90 minutes	25.86 sq. ft. (3,724 sq. in.)	95 - 5/8"



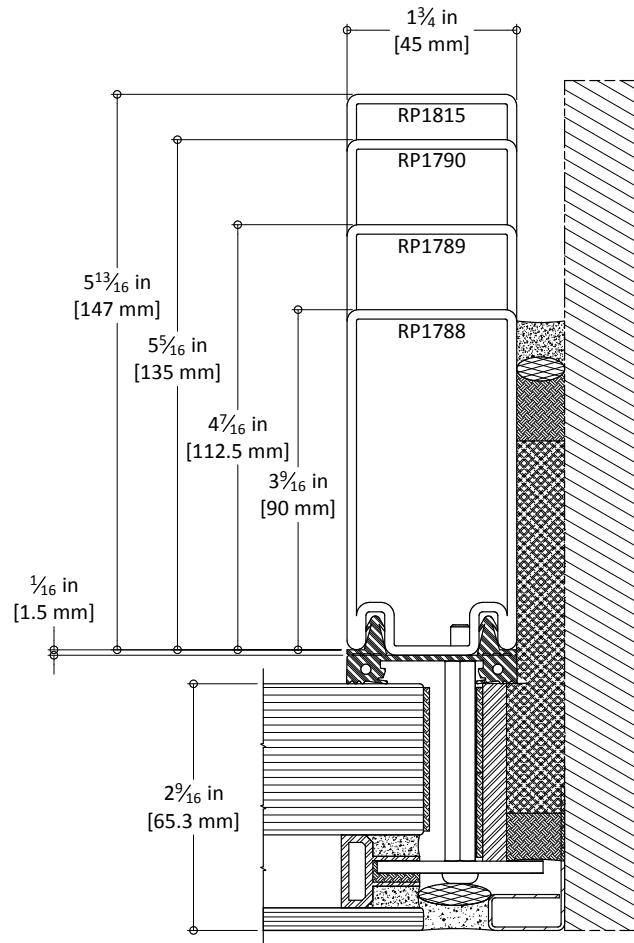
**FINISH SEAL AND FIRESAFING INSTALLATION HORIZONTAL**



**CURTAIN WALL 60 MM PROFILE OPTIONS USED ONLY AT INTERIOR MULLIONS**



**FINISH SEAL AND FIRESAFING INSTALLATION VERTICAL**



**CURTAIN WALL 45 MM PROFILE OPTIONS USED ONLY AT PERIMETERS**