



IMPACT-RATED



FIRE-RATED



LOAD BEARING



HEAT BARRIER



FIRE-RATED, SAFETY-RATED GLASS FLOORING SYSTEMS

This advanced glass floor system is impact-resistant and fire-rated for two hours – the only glazed floor in North America with that level of protection. Fireframes ClearFloor can be used as a durable, non-slip walking surface, and is approved for loads up to 150 psf. Listed by Underwriters Laboratories (UL), the system is available for both interior and exterior applications.

FEATURES

- Fire-rated for up to two hours
- Allows glazing in spaces that previously would have required alternative opaque fire-stopping materials like concrete and corrugated steel
- Consists of two-hour fire-rated Pilkington Pyrostop® glass; a tempered, laminated walking surface glass; and a steel framing grid
- Brings daylight deep into building interiors, creating dramatic visual effects between different building levels
- Individual glass panel sizes are approximately 48" x 50"
- Protection against radiant and conductive heat transfer
- Barrier to fire and smoke
- Durable, non-slip walking surface
- Modular system enables design creativity
- Replacement of individual walking surface panels in case of impact breakage
- Allows for decorative color frits and sandblasted glass without affecting fire rating
- For use in interior and/or exterior applications

LISTINGS

Listed with Underwriters Laboratories, Inc.® File number is BXUV.C901. Tests performed in accordance with ASTM E-119, UL 263 and NFPA 251. Approved for use in Los Angeles: LARR 25798.

SPECIFICATIONS

Complete 3-part CSI format specifications are available online at fireglass.com, or by calling 800.426.0279.

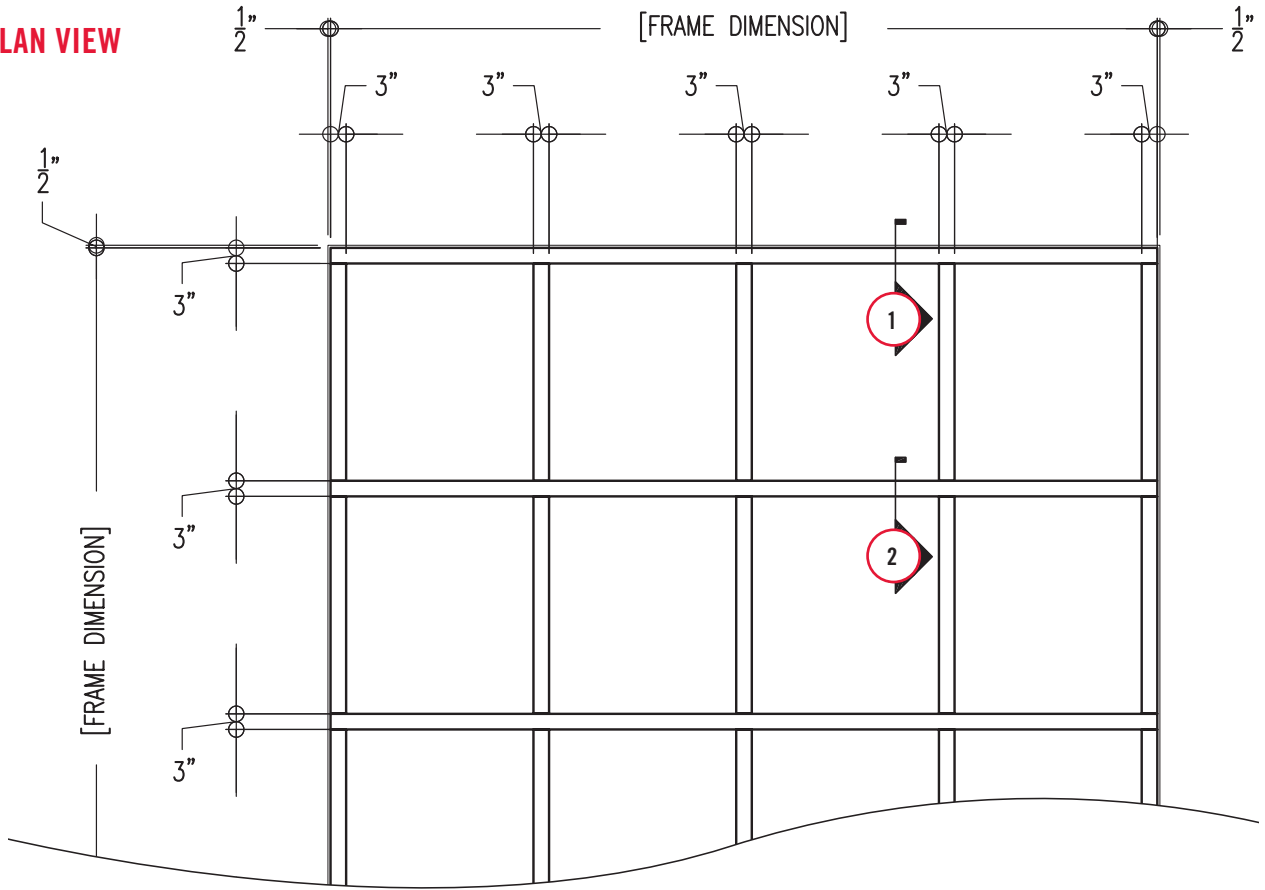
STORAGE & HANDLING

Pilkington Pyrostop must be handled with care during transportation, storage, inspection and installation. It should be stored in dry conditions, stocked vertically and fully supported in a manner which prevents the glass from sagging. During storage and transportation, the temperature of Pilkington Pyrostop should not exceed 122°F. Do not expose the "non-PVB" side of the glass to UV light. Do not remove the protective edge tape. See manufacturer's installation and warranty information for further details.

FAMILY OF PRODUCTS

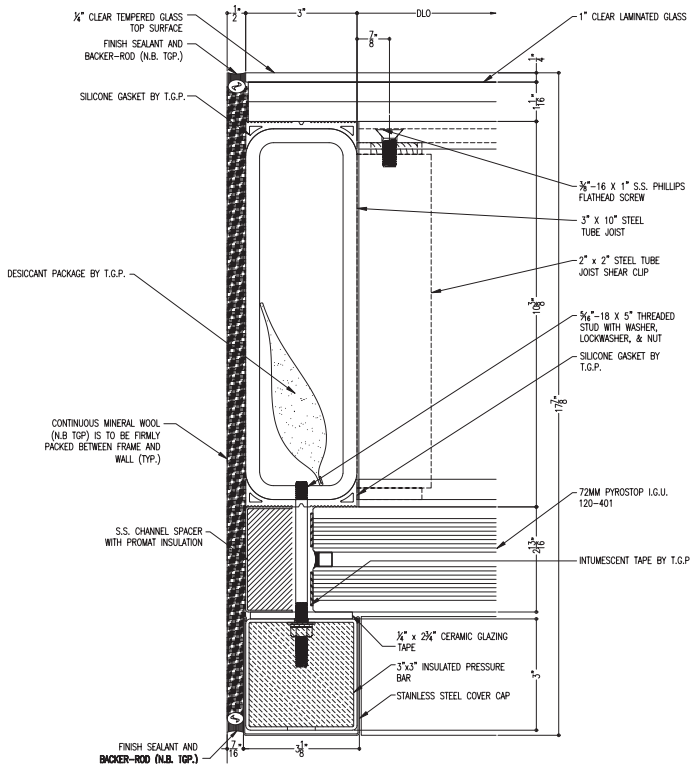
TGP offers a complete family of products for all your fire-rated glazing needs, ranging from 20 minute to 3 hour applications. More information is available online at fireglass.com, or by calling 800.426.0279.

PLAN VIEW

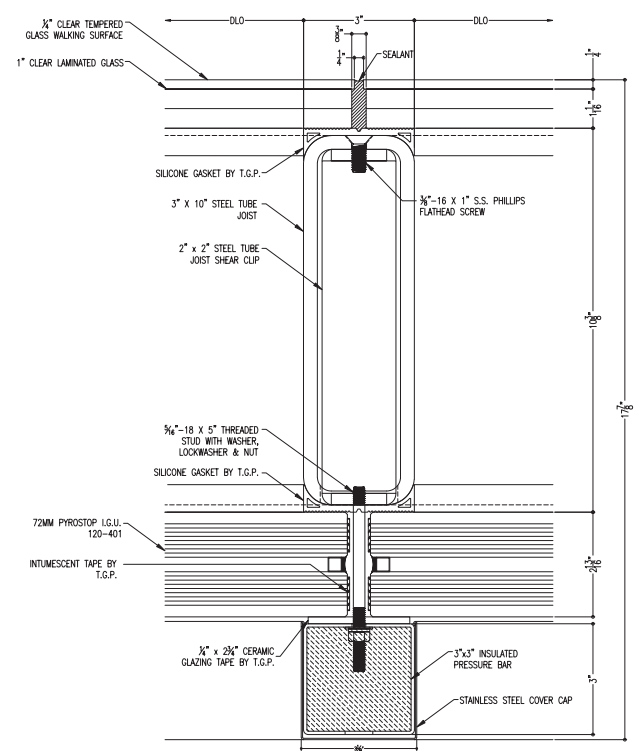


MAXIMUM INDIVIDUAL GLASS PANEL SIZE APPROXIMATELY 48" X 50"

1 CROSS SECTION AT EDGE CONDITION



2 SHORT JOIST CROSS SECTION



© August 2009 Technical Glass Products. Pilkington Pyrostop and Pilkington Optiwhite are registered trademarks of Pilkington plc. Technical Glass Products, One Source, Many Solutions., Fireglass and Fireframes are registered trademarks of Technical Glass Products. Fireframes Clearfloor is a trademark of Technical Glass Products. For current listing details, please call Technical Glass Products.