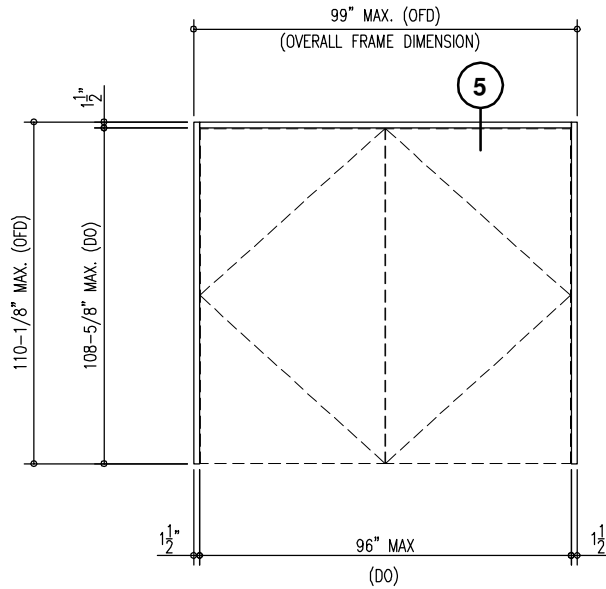


# Fireframes®

## Hardwood Series

Detail Drawings



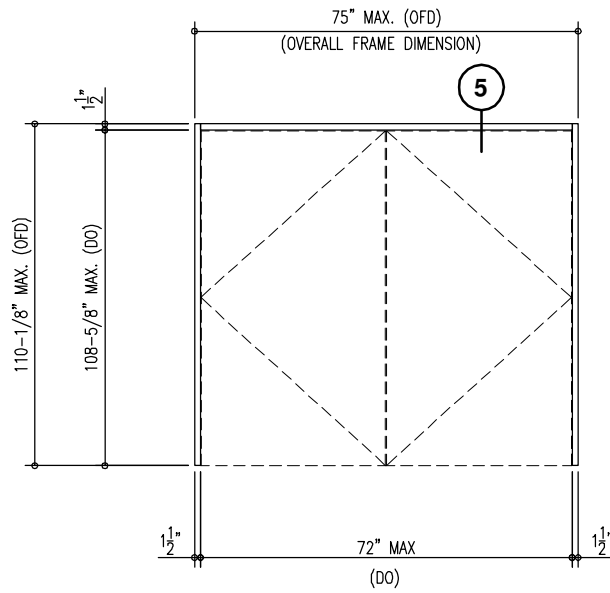
**STAND ALONE DOOR FRAME**  
**SINGLE OR PAIR OF DOORS**

\*TBS = DIMENSION TO BE SPECIFIED

**Hardwood Series-20 Minute**

<b>DOOR FRAMING</b>	<b>MAX. SINGLE</b>
<b>RATING</b>	<b>DOOR LEAF SIZE</b>
20 MINUTES	48" X 108"

\* 20 MINUTE RATED BORROWED LITES AND STAND ALONE RELITES ALLOWED IN NEGATIVE PRESSURE JURISDICTIONS ONLY  
45 MINUTE REQUIRED OTHERWISE  
\*\* EXPOSED GLASS WIDTH AND HEIGHT WILL BE 1-1/2" LESS THAN WINDOW OPENING AFTER STOPS ARE APPLIED



**STAND ALONE DOOR FRAME**  
**SINGLE OR PAIR OF DOORS**

\*TBS = DIMENSION TO BE SPECIFIED

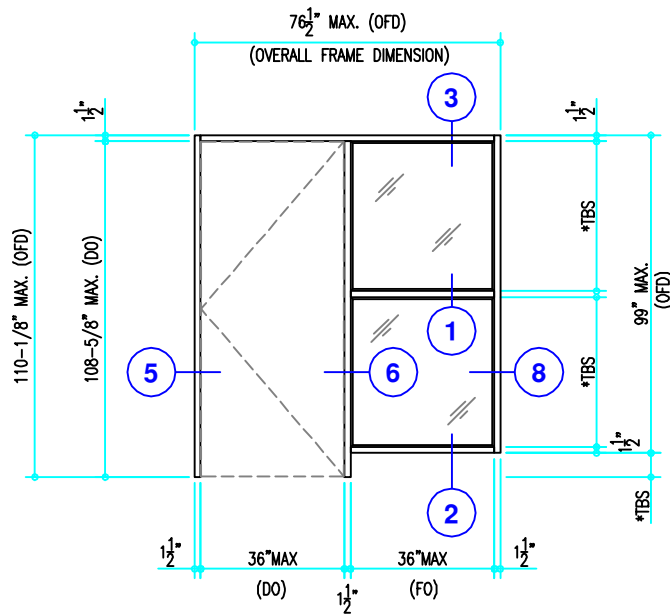
**Hardwood Series-45 Minute**

<b>DOOR FRAMING</b>	<b>MAX. SINGLE</b>
<b>RATING</b>	<b>DOOR LEAF SIZE</b>
45 MINUTES	36" X 108"

\* FOR NON-SAFETY RATED APPLICATIONS ONLY

\*\* EXPOSED GLASS WIDTH AND HEIGHT WILL BE 1-1/2" LESS THAN WINDOW OPENING AFTER STOPS ARE APPLIED





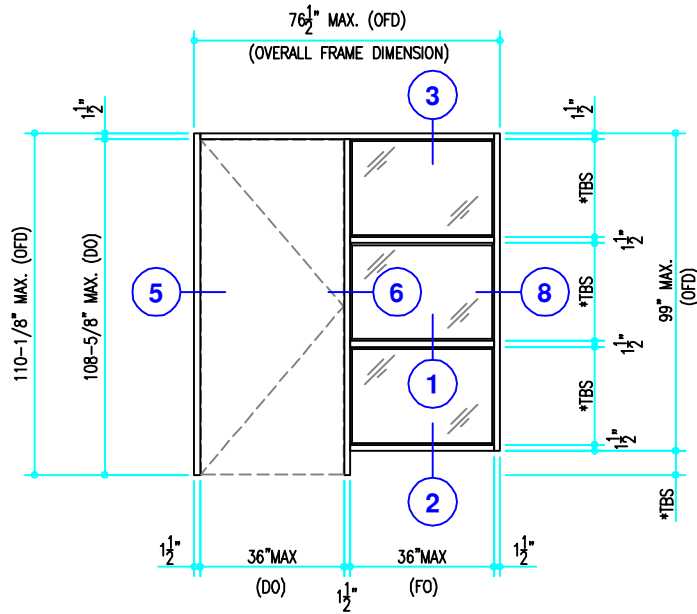
SINGLE DOOR FRAME WITH SIDELITE  
(TYPE B)

\*TBS = DIMENSION TO BE SPECIFIED

**Hardwood Series-45 Minute**

<u>WINDOW FRAMING</u>	<u>MAX. EXPOSED</u>	<u>MAX. EXPOSED</u>	<u>**MAX. WIDTH OF</u>	<u>**MAX. HEIGHT OF</u>
<u>RATING</u>	<u>GLASS TYPE</u>	<u>GLASS AREA PER SIDELITE</u>	<u>FRAME OPENING</u>	<u>FRAME OPENING</u>
45 MINUTES	*FIRELITE	3260 SQ. INCHES	36"	96"
45 MINUTES	FIRELITE NT	3260 SQ. INCHES	36"	96"
45 MINUTES	FIRELITE PLUS	3260 SQ. INCHES	36"	96"
45 MINUTES	FIRELITE IGU	3260 SQ. INCHES	36"	96"
45 MINUTES	PYROSTOP (19mm)	3260 SQ. INCHES	36"	96"
<b><u>DOOR FRAMING</u></b>	<b><u>MAX. SINGLE</u></b>			
<b><u>RATING</u></b>	<b><u>DOOR LEAF SIZE</u></b>			
45 MINUTES	36" X 108"			

\*\* EXPOSED GLASS WIDTH AND HEIGHT WILL BE 1-1/2" LESS THAN WINDOW OPENING AFTER STOPS ARE APPLIED



SINGLE DOOR FRAME WITH SIDE LITE  
(TYPE C)

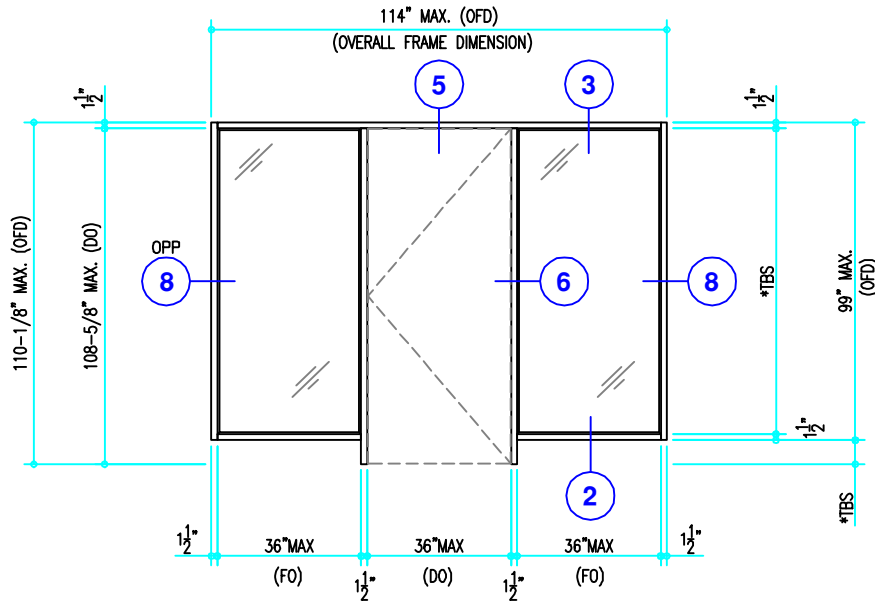
\*TBS = DIMENSION TO BE SPECIFIED

**Hardwood Series-45 Minute**

<u>WINDOW FRAMING</u>	<u>MAX. EXPOSED</u>	<u>MAX. EXPOSED</u>	<u>**MAX. WIDTH OF</u>	<u>**MAX. HEIGHT OF</u>
<u>RATING</u>	<u>GLASS TYPE</u>	<u>GLASS AREA PER SIDELITE</u>	<u>FRAME OPENING</u>	<u>FRAME OPENING</u>
45 MINUTES	*FIRELITE	3260 SQ. INCHES	36"	96"
45 MINUTES	FIRELITE NT	3260 SQ. INCHES	36"	96"
45 MINUTES	FIRELITE PLUS	3260 SQ. INCHES	36"	96"
45 MINUTES	FIRELITE IGU	3260 SQ. INCHES	36"	96"
45 MINUTES	PYROSTOP (19mm)	3260 SQ. INCHES	36"	96"
<b><u>DOOR FRAMING</u></b>	<b><u>MAX. SINGLE</u></b>			
<b><u>RATING</u></b>	<b><u>DOOR LEAF SIZE</u></b>			
45 MINUTES	36" X 108"			

\* FOR NON-SAFETY RATED APPLICATIONS ONLY

\*\* EXPOSED GLASS WIDTH AND HEIGHT WILL BE 1-1/2" LESS THAN WINDOW OPENING AFTER STOPS ARE APPLIED



SINGLE DOOR FRAME WITH SIDELITES  
(TYPE D)

\*TBS = DIMENSION TO BE SPECIFIED

**Hardwood Series-45 Minute**

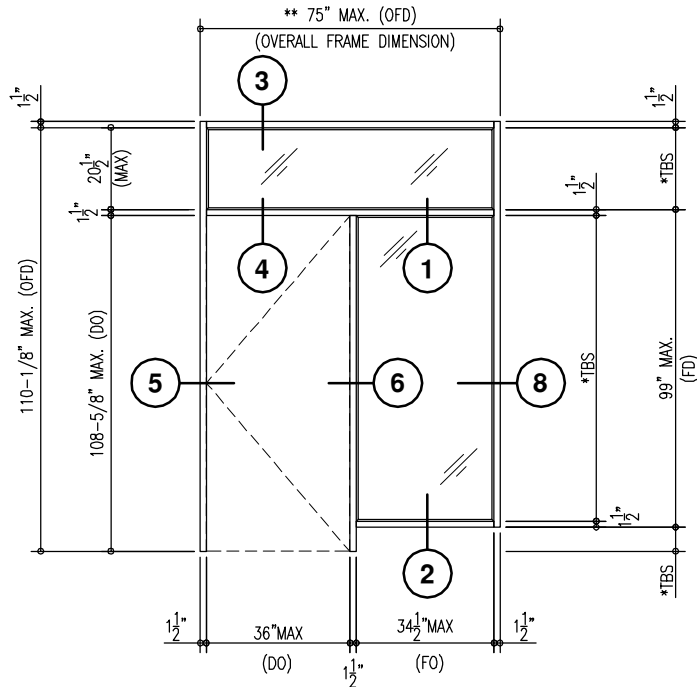
WINDOW FRAMING RATING	MAX. EXPOSED GLASS TYPE	MAX. EXPOSED GLASS AREA PER SIDELITE	**MAX. WIDTH OF FRAME OPENING	**MAX. HEIGHT OF FRAME OPENING
45 MINUTES	*FIRELITE	3260 SQ. INCHES	36"	96"
45 MINUTES	FIRELITE NT	3260 SQ. INCHES	36"	96"
45 MINUTES	FIRELITE PLUS	3260 SQ. INCHES	36"	96"
45 MINUTES	FIRELITE IGU	3260 SQ. INCHES	36"	96"
45 MINUTES	PYROSTOP (19mm)	3260 SQ. INCHES	36"	96"
<b>DOOR FRAMING RATING</b>	<b>MAX. SINGLE DOOR LEAF SIZE</b>			
45 MINUTES	36" X 108"			

\* FOR NON-SAFETY RATED APPLICATIONS ONLY

\*\* EXPOSED GLASS WIDTH AND HEIGHT WILL BE 1-1/2" LESS THAN WINDOW OPENING AFTER STOPS ARE APPLIED







**SINGLE DOOR FRAME WITH SIDELITE**  
**(TYPE G)**

\*TBS = DIMENSION TO BE SPECIFIED

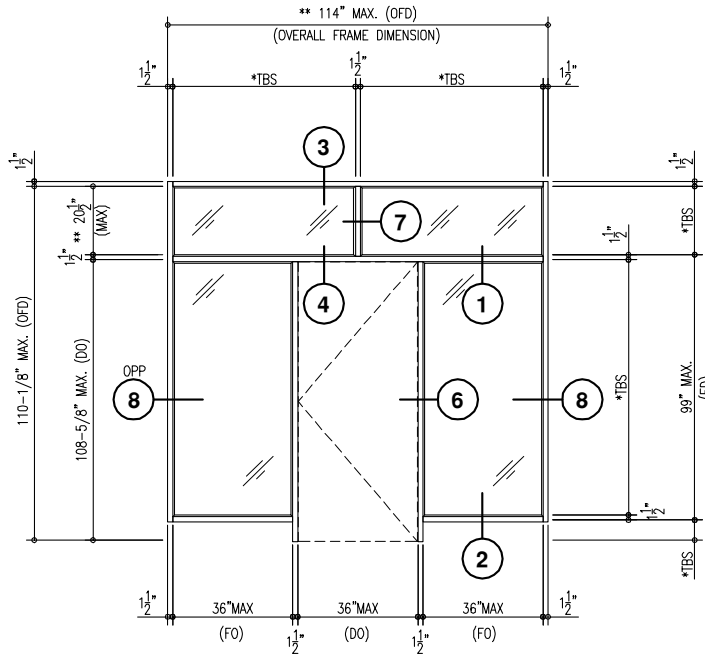
\*\* MAX. TRANSM OMING 72" (W) X 20-1/2" (H)

**Hardwood Series-45 Minute**

<b>WINDOW FRAMING</b>	<b>MAX. EXPOSED</b>	<b>MAX. EXPOSED</b>	<b>**MAX. WIDTH OF</b>	<b>**MAX. HEIGHT OF</b>
<b>RATING</b>	<b>GLASS TYPE</b>	<b>GLASS AREA PER SIDELITE</b>	<b>FRAME OPENING</b>	<b>FRAME OPENING</b>
45 MINUTES	*FIRELITE	3260 SQ. INCHES	34-1/2"	96"
45 MINUTES	FIRELITE NT	3260 SQ. INCHES	34-1/2"	96"
45 MINUTES	FIRELITE PLUS	3260 SQ. INCHES	34-1/2"	96"
45 MINUTES	FIRELITE IGU	3260 SQ. INCHES	34-1/2"	96"
45 MINUTES	PYROSTOP (19mm)	3260 SQ. INCHES	34-1/2"	96"
<b>DOOR FRAMING</b>	<b>MAX. SINGLE</b>			
<b>RATING</b>	<b>DOOR LEAF SIZE</b>			
45 MINUTES	36" X 108"			

\* FOR USE IN NON-SAFETY RATED APPLICATIONS ONLY

\*\* EXPOSED GLASS WIDTH AND HEIGHT WILL BE 1-1/2" LESS THAN WINDOW OPENING AFTER STOPS ARE APPLIED



**SINGLE DOOR FRAME WITH SIDELITE  
(TYPE I)**

\*TBS = DIMENSION TO BE SPECIFIED

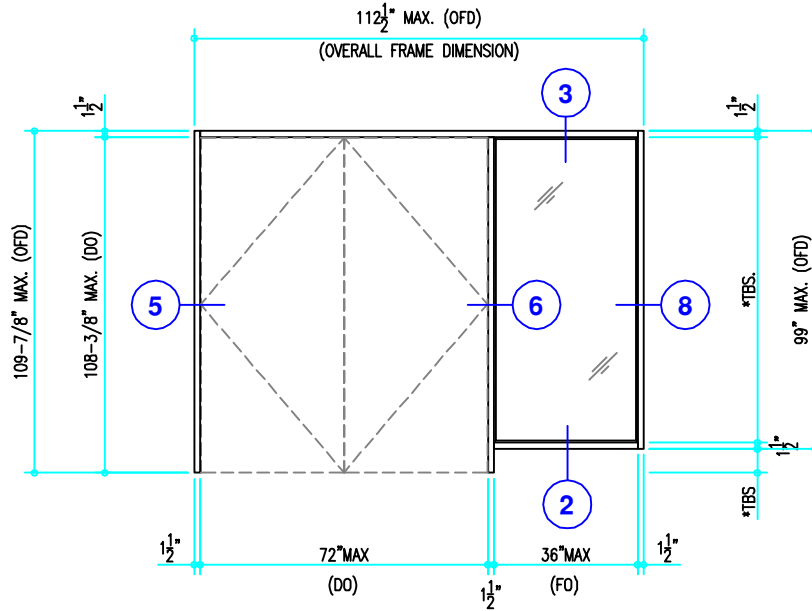
\*\* MAX. TRANSOM OPENING 72" (W) X 20-1/2" (H)

**Hardwood Series-45 Minute**

<b>WINDOW FRAMING RATING</b>	<b>MAX. EXPOSED GLASS TYPE</b>	<b>MAX. EXPOSED GLASS AREA PER SIDELITE</b>	<b>**MAX. WIDTH OF FRAME OPENING</b>	<b>**MAX. HEIGHT OF FRAME OPENING</b>
45 MINUTES	*FIRELITE	3260 SQ. INCHES	36"	96"
45 MINUTES	FIRELITE NT	3260 SQ. INCHES	36"	96"
45 MINUTES	FIRELITE PLUS	3260 SQ. INCHES	36"	96"
45 MINUTES	FIRELITE IGU	3260 SQ. INCHES	36"	96"
45 MINUTES	PYROSTOP (19mm)	3260 SQ. INCHES	36"	96"
<b>DOOR FRAMING RATING</b>	<b>MAX. SINGLE DOOR LEAF SIZE</b>			
45 MINUTES	36" X 108"			

\* FOR NON-SAFETY RATED APPLICATIONS ONLY

\*\* EXPOSED GLASS WIDTH AND HEIGHT WILL BE 1-1/2" LESS THAN WINDOW OPENING AFTER STOPS ARE APPLIED



SINGLE DOOR FRAME WITH SIDELITE  
(TYPE J)

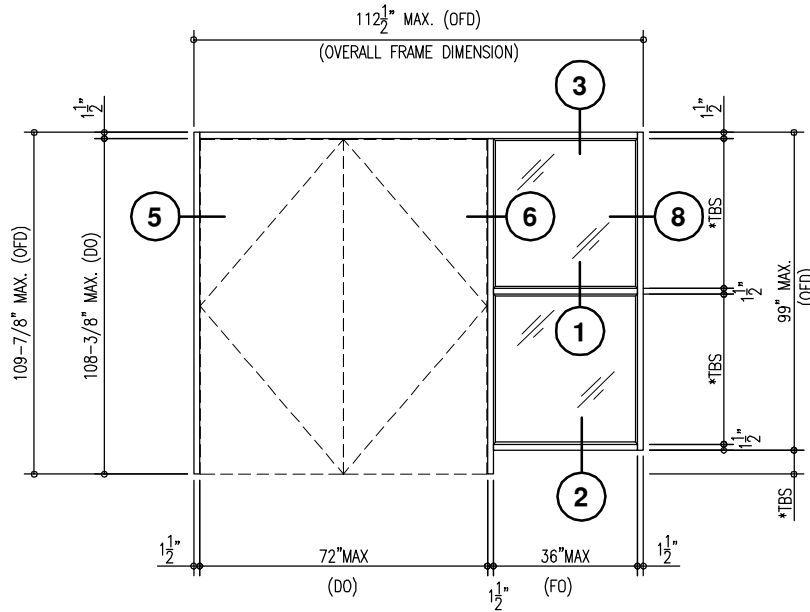
\*TBS = DIMENSION TO BE SPECIFIED

**Hardwood Series-45 Minute**

<u>WINDOW FRAMING</u>	<u>MAX. EXPOSED</u>	<u>MAX. EXPOSED</u>	<u>**MAX. WIDTH OF</u>	<u>**MAX. HEIGHT OF</u>
<u>RATING</u>	<u>GLASS TYPE</u>	<u>GLASS AREA PER SIDELITE</u>	<u>FRAME OPENING</u>	<u>FRAME OPENING</u>
45 MINUTES	*FIRELITE	3260 SQ. INCHES	36"	96"
45 MINUTES	FIRELITE NT	3260 SQ. INCHES	36"	96"
45 MINUTES	FIRELITE PLUS	3260 SQ. INCHES	36"	96"
45 MINUTES	FIRELITE IGU	3260 SQ. INCHES	36"	96"
45 MINUTES	PYROSTOP (19mm)	3260 SQ. INCHES	36"	96"
<b>DOOR FRAMING</b>				
<u>RATING</u>	<u>MAX.</u>			
45 MINUTES	<u>DOOR PAIR SIZE</u>			
	72" X 108"			

\* FOR NON-SAFETY RATED APPLICATIONS ONLY

\*\* EXPOSED GLASS WIDTH AND HEIGHT WILL BE 1-1/2" LESS THAN WINDOW OPENING AFTER STOPS ARE APPLIED



**DOUBLE DOOR FRAME WITH SIDELITE**  
**(TYPE K)**

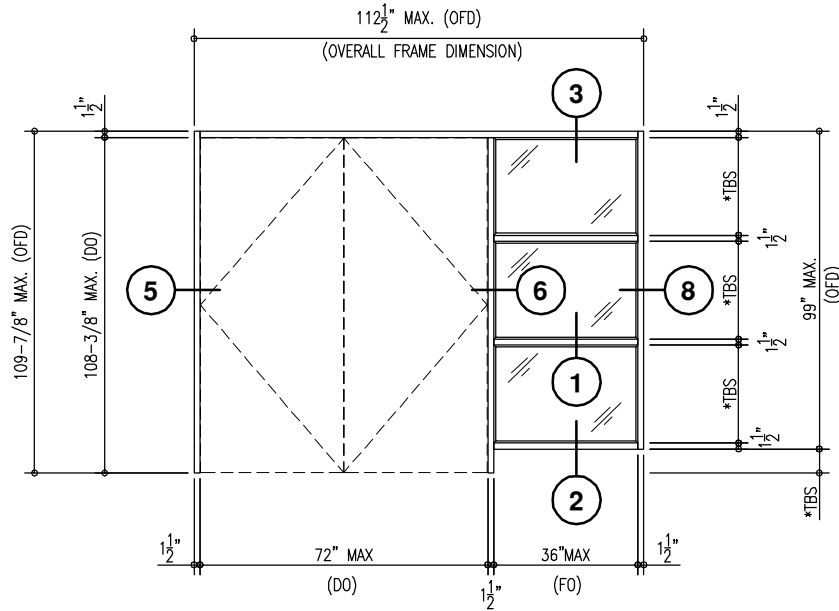
\*TBS = DIMENSION TO BE SPECIFIED

**Hardwood Series-45 Minute**

<b>WINDOW FRAMING</b>	<b>MAX. EXPOSED</b>	<b>MAX. EXPOSED</b>	<b>**MAX. WIDTH OF</b>	<b>**MAX. HEIGHT OF</b>
<b><u>RATING</u></b>	<b><u>GLASS TYPE</u></b>	<b><u>GLASS AREA PER SIDELITE</u></b>	<b><u>FRAME OPENING</u></b>	<b><u>FRAME OPENING</u></b>
45 MINUTES	*FIRELITE	3260 SQ. INCHES	36"	96"
45 MINUTES	FIRELITE NT	3260 SQ. INCHES	36"	96"
45 MINUTES	FIRELITE PLUS	3260 SQ. INCHES	36"	96"
45 MINUTES	FIRELITE IGU	3260 SQ. INCHES	36"	96"
45 MINUTES	PYROSTOP (19mm)	3260 SQ. INCHES	36"	96"
<b>DOOR FRAMING</b>		<b>MAX.</b>		
<b><u>RATING</u></b>	<b><u>DOOR PAIR SIZE</u></b>			
45 MINUTES	72" X 108"			

\* FOR NON-SAFETY RATED APPLICATIONS ONLY

\*\* EXPOSED GLASS WIDTH AND HEIGHT WILL BE 1-1/2" LESS THAN WINDOW OPENING AFTER STOPS ARE APPLIED



DOUBLE DOOR FRAME WITH SIDELITE  
(TYPE L)

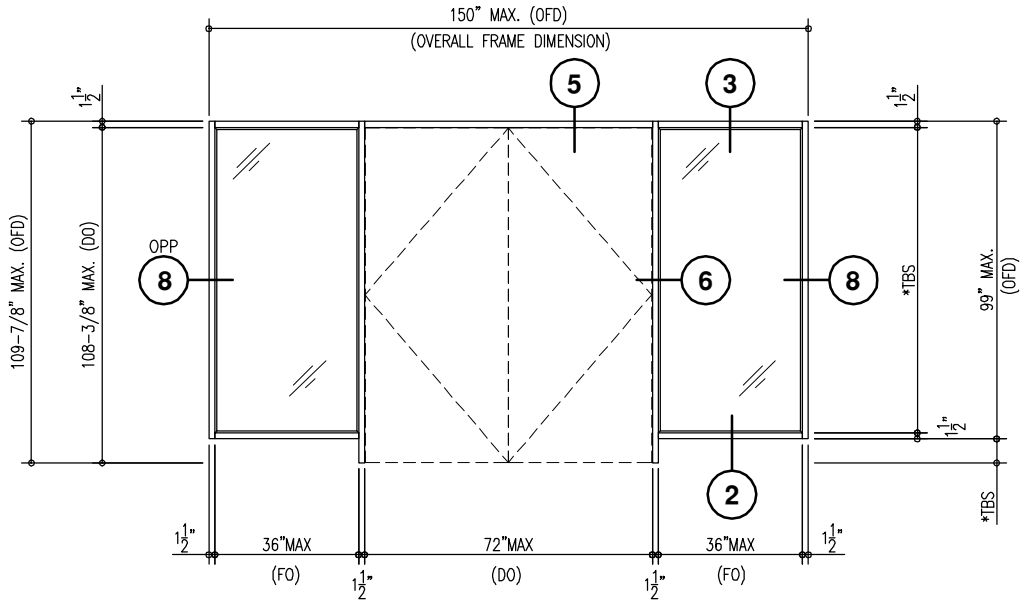
\*TBS = DIMENSION TO BE SPECIFIED

**Hardwood Series-45 Minute**

<u>WINDOW FRAMING</u>	<u>MAX. EXPOSED</u>	<u>MAX. EXPOSED</u>	<u>**MAX. WIDTH OF</u>	<u>**MAX. HEIGHT OF</u>
<u>RATING</u>	<u>GLASS TYPE</u>	<u>GLASS AREA PER SIDELITE</u>	<u>FRAME OPENING</u>	<u>FRAME OPENING</u>
45 MINUTES	*FIRELITE	3260 SQ. INCHES	36"	96"
45 MINUTES	FIRELITE NT	3260 SQ. INCHES	36"	96"
45 MINUTES	FIRELITE PLUS	3260 SQ. INCHES	36"	96"
45 MINUTES	FIRELITE IGU	3260 SQ. INCHES	36"	96"
45 MINUTES	PYROSTOP (19mm)	3260 SQ. INCHES	36"	96"
<b><u>DOOR FRAMING</u></b>		<b><u>MAX.</u></b>		
<b><u>RATING</u></b>	<b><u>DOOR PAIR SIZE</u></b>			
45 MINUTES	72" X 108"			

\* FOR USE IN NON-SAFETY RATED APPLICATIONS ONLY

\*\* EXPOSED GLASS WIDTH AND HEIGHT WILL BE 1-1/2" LESS THAN WINDOW OPENING AFTER STOPS ARE APPLIED



**DOUBLE DOOR FRAME WITH SIDELITES**  
**(TYPE M)**

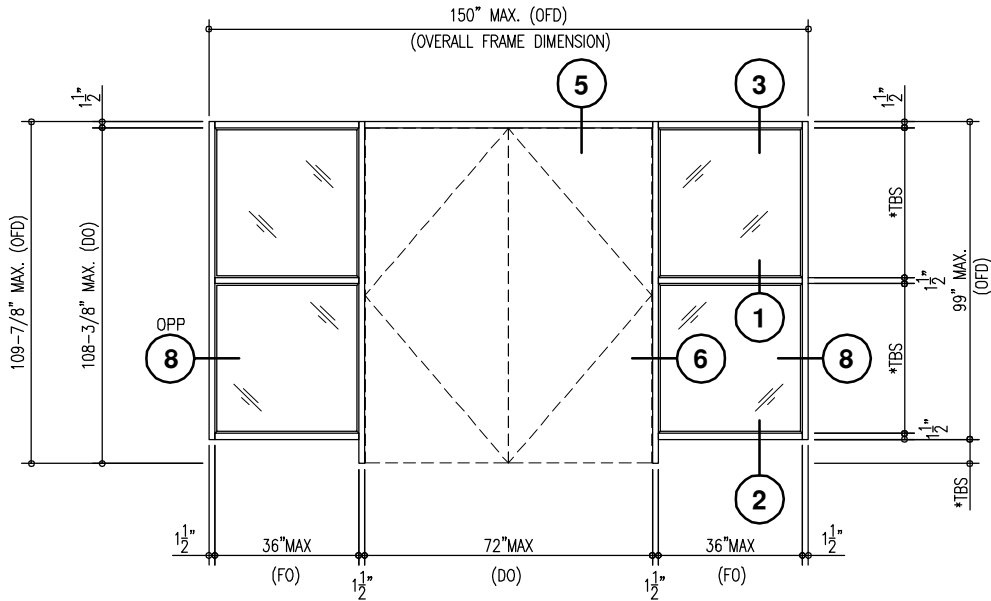
\*TBS = DIMENSION TO BE SPECIFIED

**Hardwood Series-45 Minute**

<b>WINDOW FRAMING</b>	<b>MAX. EXPOSED</b>	<b>MAX. EXPOSED</b>	<b>**MAX. WIDTH OF</b>	<b>**MAX. HEIGHT OF</b>
<b>RATING</b>	<b>GLASS TYPE</b>	<b>GLASS AREA PER SIDELITE</b>	<b>FRAME OPENING</b>	<b>FRAME OPENING</b>
45 MINUTES	*FIRELITE	3260 SQ. INCHES	36"	96"
45 MINUTES	FIRELITE NT	3260 SQ. INCHES	36"	96"
45 MINUTES	FIRELITE PLUS	3260 SQ. INCHES	36"	96"
45 MINUTES	FIRELITE IGU	3260 SQ. INCHES	36"	96"
45 MINUTES	PYROSTOP (19mm)	3260 SQ. INCHES	36"	96"
<b>DOOR FRAMING</b>	<b>MAX.</b>			
<b>RATING</b>	<b>DOOR PAIR SIZE</b>			
45 MINUTES	72" X 108"			

\* FOR NON-SAFETY RATED APPLICATIONS ONLY

\*\* EXPOSED GLASS WIDTH AND HEIGHT WILL BE 1-1/2" LESS THAN WINDOW OPENING AFTER STOPS ARE APPLIED



**DOUBLE DOOR FRAME WITH SIDELITES  
(TYPE N)**

\*TBS = DIMENSION TO BE SPECIFIED

**Hardwood Series-45 Minute**

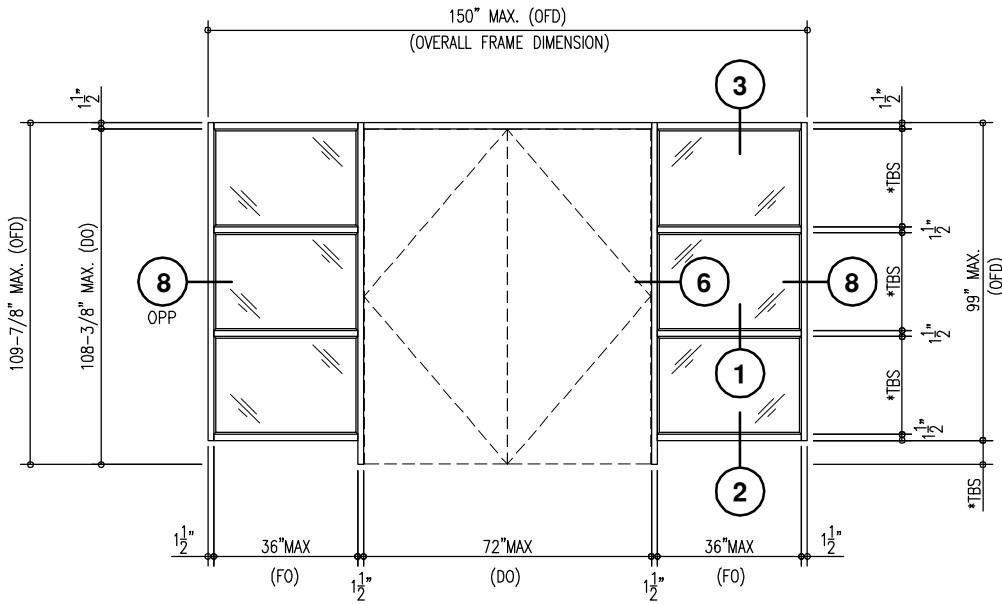
<b>WINDOW FRAMING RATING</b>	<b>MAX. EXPOSED GLASS TYPE</b>	<b>MAX. EXPOSED GLASS AREA PER SIDELITE</b>	<b>**MAX. WIDTH OF FRAME OPENING</b>	<b>**MAX. HEIGHT OF FRAME OPENING</b>
45 MINUTES	*FIRELITE	3260 SQ. INCHES	36"	96"
45 MINUTES	FIRELITE NT	3260 SQ. INCHES	36"	96"
45 MINUTES	FIRELITE PLUS	3260 SQ. INCHES	36"	96"
45 MINUTES	FIRELITE IGU	3260 SQ. INCHES	36"	96"
45 MINUTES	PYROSTOP (19mm)	3260 SQ. INCHES	36"	96"

<b>DOOR FRAMING RATING</b>	<b>MAX. DOOR PAIR SIZE</b>
45 MINUTES	72" X 108"

\* FOR NON-SAFETY RATED APPLICATIONS ONLY

\*\* EXPOSED GLASS WIDTH AND HEIGHT WILL BE 1-1/2" LESS THAN WINDOW OPENING AFTER STOPS ARE APPLIED



**DOUBLE DOOR FRAME WITH SIDELITES**  
**(TYPE 0)**

\*TBS = DIMENSION TO BE SPECIFIED

**Hardwood Series-45 Minute**

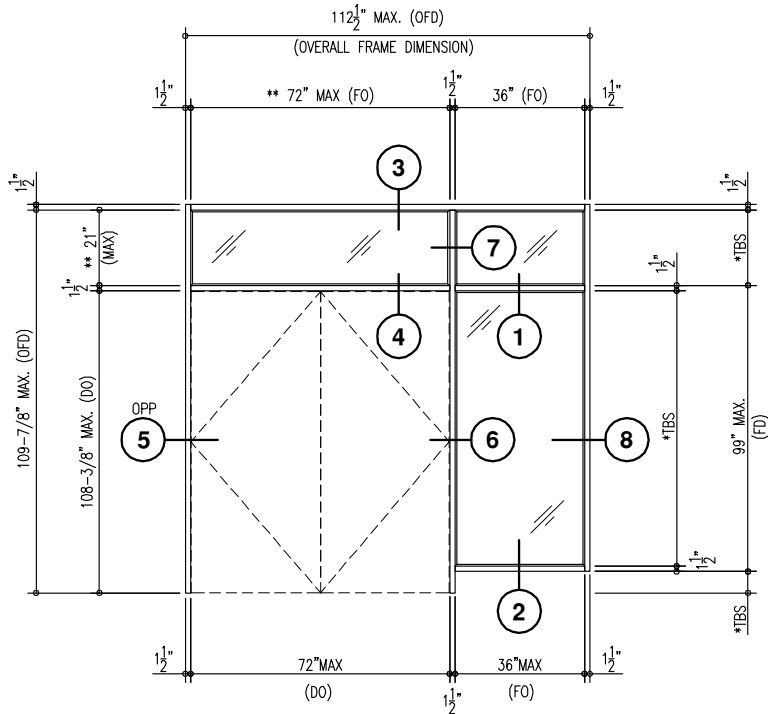
<u>WINDOW FRAMING</u>	<u>MAX. EXPOSED</u>	<u>MAX. EXPOSED</u>	<u>**MAX. WIDTH OF</u>	<u>**MAX. HEIGHT OF</u>
<u>RATING</u>	<u>GLASS TYPE</u>	<u>GLASS AREA PER SIDELITE</u>	<u>FRAME OPENING</u>	<u>FRAME OPENING</u>
45 MINUTES	*FIRELITE	3260 SQ. INCHES	36"	96"
45 MINUTES	FIRELITE NT	3260 SQ. INCHES	36"	96"
45 MINUTES	FIRELITE PLUS	3260 SQ. INCHES	36"	96"
45 MINUTES	FIRELITE IGU	3260 SQ. INCHES	36"	96"
45 MINUTES	PYROSTOP (19mm)	3260 SQ. INCHES	36"	96"

<u>DOOR FRAMING</u>	<u>MAX.</u>
<u>RATING</u>	<u>DOOR PAIR SIZE</u>
45 MINUTES	72" X 108"

\* FOR NON-SAFETY RATED APPLICATIONS ONLY

\*\* EXPOSED GLASS WIDTH AND HEIGHT WILL BE 1-1/2" LESS THAN WINDOW OPENING AFTER STOPS ARE APPLIED



**DOUBLE DOOR FRAME WITH SIDELITES**  
(TYPE P)

\*TBS = DIMENSION TO BE SPECIFIED

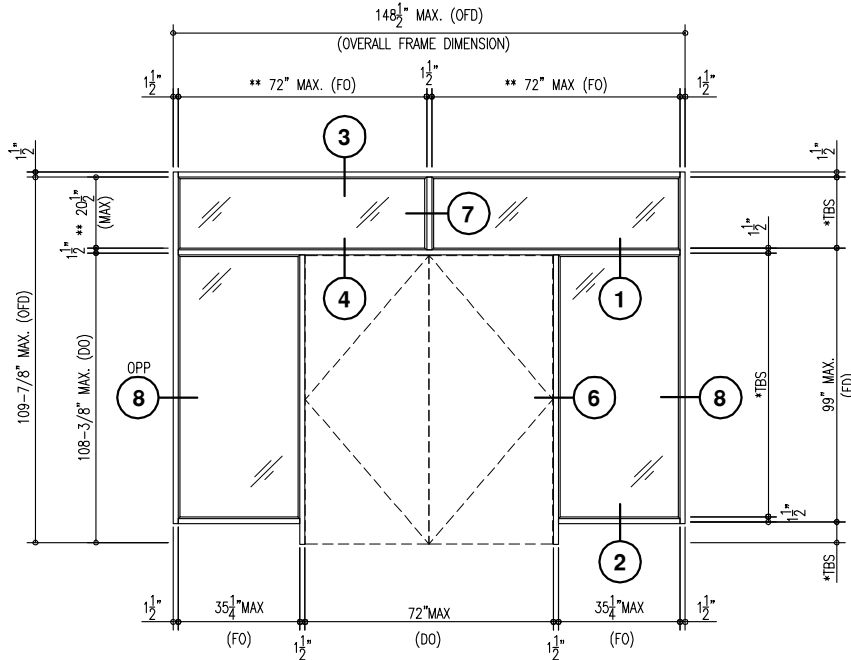
\*\* MAX. TRANSOM OPENING 72" (W) X 20-1/2" (H)

**Hardwood Series-45 Minute**

WINDOW FRAMING	MAX. EXPOSED	MAX. EXPOSED	**MAX. WIDTH OF	**MAX. HEIGHT OF
<u>RATING</u>	<u>GLASS TYPE</u>	<u>GLASS AREA PER PIECE</u>	<u>FRAME OPENING</u>	<u>FRAME OPENING</u>
45 MINUTES	*FIRELITE	3260 SQ. INCHES	36"	96"
45 MINUTES	FIRELITE NT	3260 SQ. INCHES	36"	96"
45 MINUTES	FIRELITE PLUS	3260 SQ. INCHES	36"	96"
45 MINUTES	FIRELITE IGU	3260 SQ. INCHES	36"	96"
45 MINUTES	PYROSTOP (19mm)	3260 SQ. INCHES	36"	96"
<b>DOOR FRAMING</b>	<b>MAX.</b>			
<u>RATING</u>	<u>DOOR PAIR SIZE</u>			
45 MINUTES	72" X 108"			

\* FOR NON-SAFETY RATED APPLICATIONS ONLY

\*\* EXPOSED GLASS WIDTH AND HEIGHT WILL BE 1-1/2" LESS THAN WINDOW OPENING AFTER STOPS ARE APPLIED



**DOUBLE DOOR FRAME WITH SIDELITES  
(TYPE Q)**

\*TBS = DIMENSION TO BE SPECIFIED

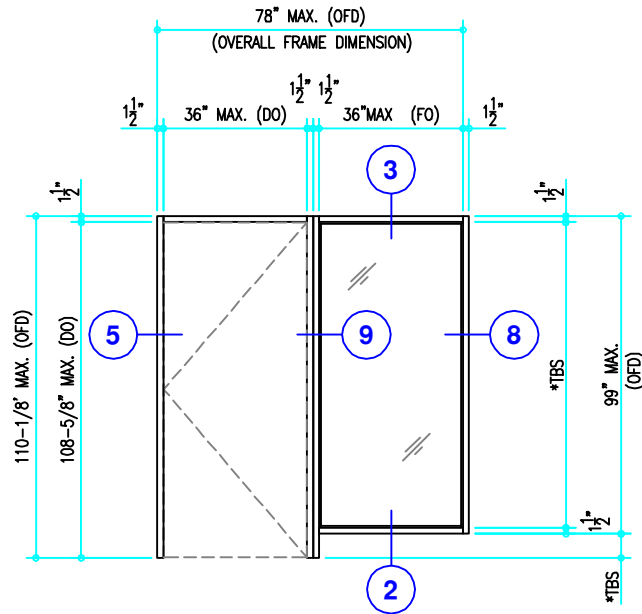
\*\* MAX. TRANSOM OPENING 72" (W) X 20-1/2" (H)

**Hardwood Series-45 Minute**

<b>WINDOW FRAMING</b>	<b>MAX. EXPOSED</b>	<b>MAX. EXPOSED</b>	<b>**MAX. WIDTH OF</b>	<b>**MAX. HEIGHT OF</b>
<b>RATING</b>	<b>GLASS TYPE</b>	<b>GLASS AREA PER SIDELITE</b>	<b>FRAME OPENING</b>	<b>FRAME OPENING</b>
45 MINUTES	*FIRELITE	3260 SQ. INCHES	36"	96"
45 MINUTES	FIRELITE NT	3260 SQ. INCHES	36"	96"
45 MINUTES	FIRELITE PLUS	3260 SQ. INCHES	36"	96"
45 MINUTES	FIRELITE IGU	3260 SQ. INCHES	36"	96"
45 MINUTES	PYROSTOP (19mm)	3260 SQ. INCHES	36"	96"
45 MINUTE TRANSOM	ANY OF ABOVE LISTED	1339 SQ. INCHES	72"	20-1/2"
<b>DOOR FRAMING</b>	<b>MAX.</b>			
<b>RATING</b>	<b>DOOR PAIR SIZE</b>			
45 MINUTES	72" X 108"			

\* FOR NON-SAFETY RATED APPLICATIONS ONLY

\*\* EXPOSED GLASS WIDTH AND HEIGHT WILL BE 1-1/2" LESS THAN WINDOW OPENING AFTER STOPS ARE APPLIED



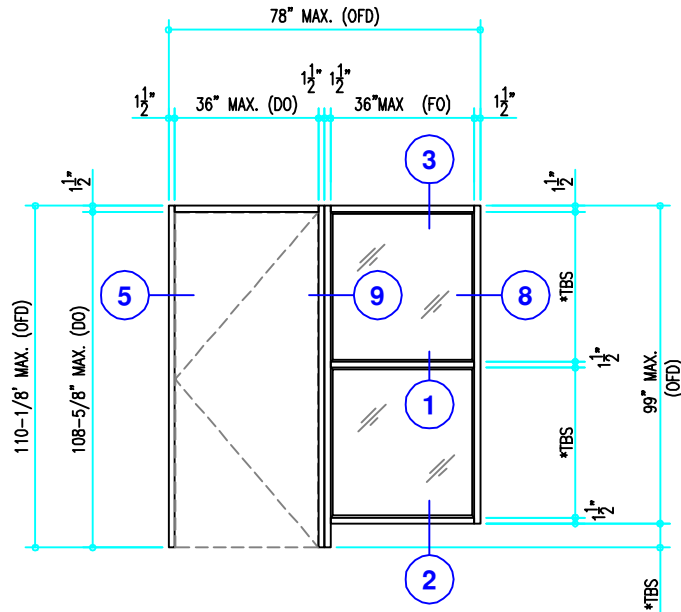
DOOR FRAME WITH SIDELITE  
(TYPE AA, SEPERATE FRAMES)

\*TBS = DIMENSION TO BE SPECIFIED

**Hardwood Series-45 Minute**

<b>WINDOW FRAMING</b>	<b>MAX. EXPOSED</b>	<b>MAX. EXPOSED</b>	<b>**MAX. WIDTH OF</b>	<b>**MAX. HEIGHT OF</b>
<u>RATING</u>	<u>GLASS TYPE</u>	<u>GLASS AREA PER SIDELITE</u>	<u>FRAME OPENING</u>	<u>FRAME OPENING</u>
45 MINUTES	*FIRELITE	3260 SQ. INCHES	36"	96"
45 MINUTES	FIRELITE NT	3260 SQ. INCHES	36"	96"
45 MINUTES	FIRELITE PLUS	3260 SQ. INCHES	36"	96"
45 MINUTES	FIRELITE IGU	3260 SQ. INCHES	36"	96"
45 MINUTES	PYROSTOP (19mm)	3260 SQ. INCHES	36"	96"
<b>DOOR FRAMING</b>	<b>MAX. SINGLE</b>			
<u>RATING</u>	<u>DOOR LEAF SIZE</u>			
45 MINUTES	36" X 108"			

\*\* EXPOSED GLASS WIDTH AND HEIGHT WILL BE 1-1/2" LESS THAN WINDOW OPENING AFTER STOPS ARE APPLIED



SINGLE DOOR FRAME WITH SIDELITE  
(TYPE BB, SEPERATE FRAMES)

\*TBS = DIMENSION TO BE SPECIFIED

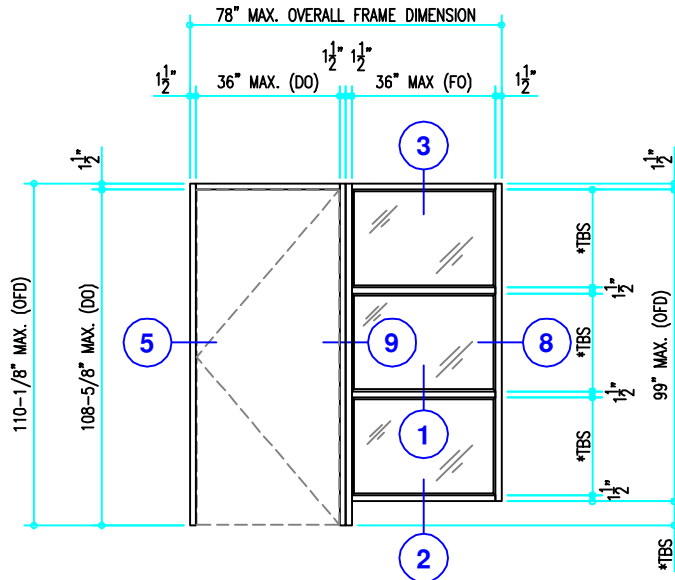
**Hardwood Series-45 Minute**

WINDOW FRAMING <u>RATING</u>	MAX. EXPOSED <u>GLASS TYPE</u>	MAX. EXPOSED <u>GLASS AREA PER SIDELITE</u>	**MAX. WIDTH OF <u>FRAME OPENING</u>	**MAX. HEIGHT OF <u>FRAME OPENING</u>
45 MINUTES	*FIRELITE	3260 SQ. INCHES	36"	96"
45 MINUTES	FIRELITE NT	3260 SQ. INCHES	36"	96"
45 MINUTES	FIRELITE PLUS	3260 SQ. INCHES	36"	96"
45 MINUTES	FIRELITE IGU	3260 SQ. INCHES	36"	96"
45 MINUTES	PYROSTOP (19mm)	3260 SQ. INCHES	36"	96"

DOOR FRAMING <u>RATING</u>	MAX. SINGLE <u>DOOR LEAF SIZE</u>
45 MINUTES	36" X 108"

\*\* EXPOSED GLASS WIDTH AND HEIGHT WILL BE 1-1/2" LESS THAN WINDOW OPENING AFTER STOPS ARE APPLIED



SINGLE DOOR FRAME WITH SIDE LITE  
(TYPE CC, SEPERATE FRAMES)

\*TBS = DIMENSION TO BE SPECIFIED

***Hardwood Series-45 Minute***

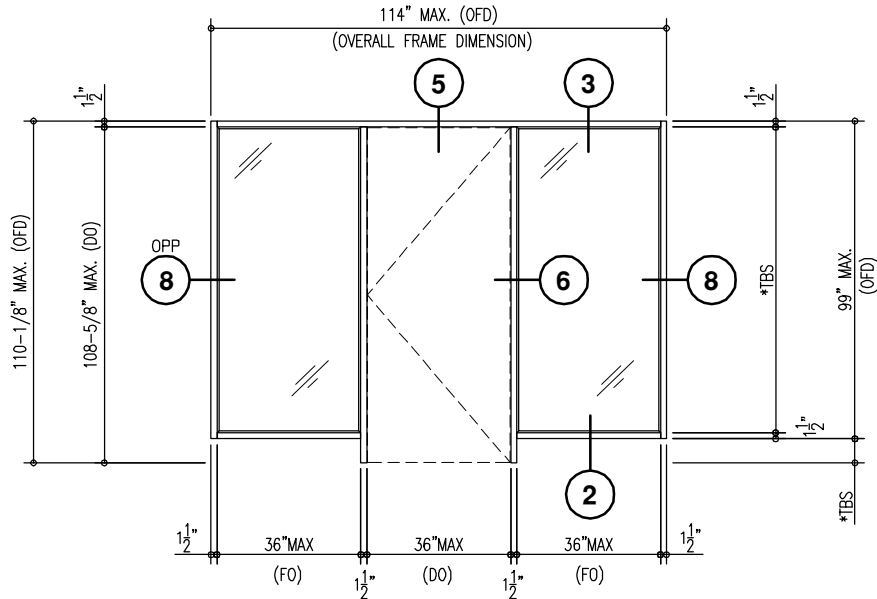
<u>WINDOW FRAMING</u>	<u>MAX. EXPOSED</u>	<u>MAX. EXPOSED</u>	<u>**MAX. WIDTH OF</u>	<u>**MAX. HEIGHT OF</u>
<u>RATING</u>	<u>GLASS TYPE</u>	<u>GLASS AREA PER SIDELITE</u>	<u>FRAME OPENING</u>	<u>FRAME OPENING</u>
45 MINUTES	*FIRELITE	3260 SQ. INCHES	36"	96"
45 MINUTES	FIRELITE NT	3260 SQ. INCHES	36"	96"
45 MINUTES	FIRELITE PLUS	3260 SQ. INCHES	36"	96"
45 MINUTES	FIRELITE IGU	3260 SQ. INCHES	36"	96"
45 MINUTES	PYROSTOP (19mm)	3260 SQ. INCHES	36"	96"

<u>DOOR FRAMING</u>	<u>MAX. SINGLE</u>
<u>RATING</u>	<u>DOOR LEAF SIZE</u>
45 MINUTES	36" X 108"

\* FOR NON-SAFETY RATED APPLICATIONS ONLY

\*\* EXPOSED GLASS WIDTH AND HEIGHT WILL BE 1-1/2" LESS THAN WINDOW OPENING AFTER STOPS ARE APPLIED



**SINGLE DOOR FRAME WITH SIDELITES**  
**(TYPE DD)**

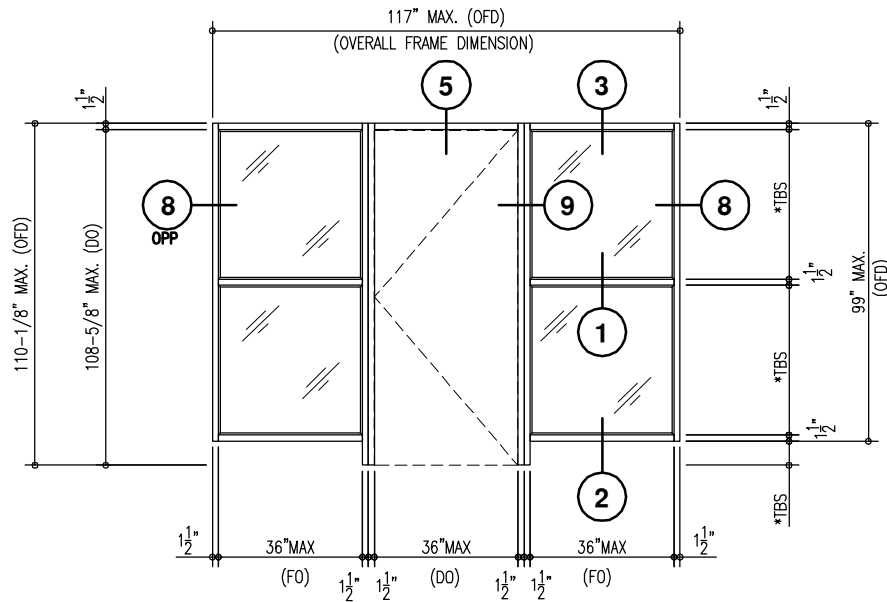
\*TBS = DIMENSION TO BE SPECIFIED

**Hardwood Series-45 Minute**

<b>WINDOW FRAMING</b>	<b>MAX. EXPOSED</b>	<b>MAX. EXPOSED</b>	<b>**MAX. WIDTH OF</b>	<b>**MAX. HEIGHT OF</b>
<b>RATING</b>	<b>GLASS TYPE</b>	<b>GLASS AREA PER SIDELITE</b>	<b>FRAME OPENING</b>	<b>FRAME OPENING</b>
45 MINUTES	*FIRELITE	3260 SQ. INCHES	36"	96"
45 MINUTES	FIRELITE NT	3260 SQ. INCHES	36"	96"
45 MINUTES	FIRELITE PLUS	3260 SQ. INCHES	36"	96"
45 MINUTES	FIRELITE IGU	3260 SQ. INCHES	36"	96"
45 MINUTES	PYROSTOP (19mm)	3260 SQ. INCHES	36"	96"
<b>DOOR FRAMING</b>	<b>MAX. SINGLE</b>			
<b>RATING</b>	<b>DOOR LEAF SIZE</b>			
45 MINUTES	36" X 108"			

\* FOR NON-SAFETY RATED APPLICATIONS ONLY

\*\* EXPOSED GLASS WIDTH AND HEIGHT WILL BE 1-1/2" LESS THAN WINDOW OPENING AFTER STOPS ARE APPLIED



**SINGLE DOOR FRAME WITH SIDELITES**  
(TYPE EE, SEPERATE FRAMES)

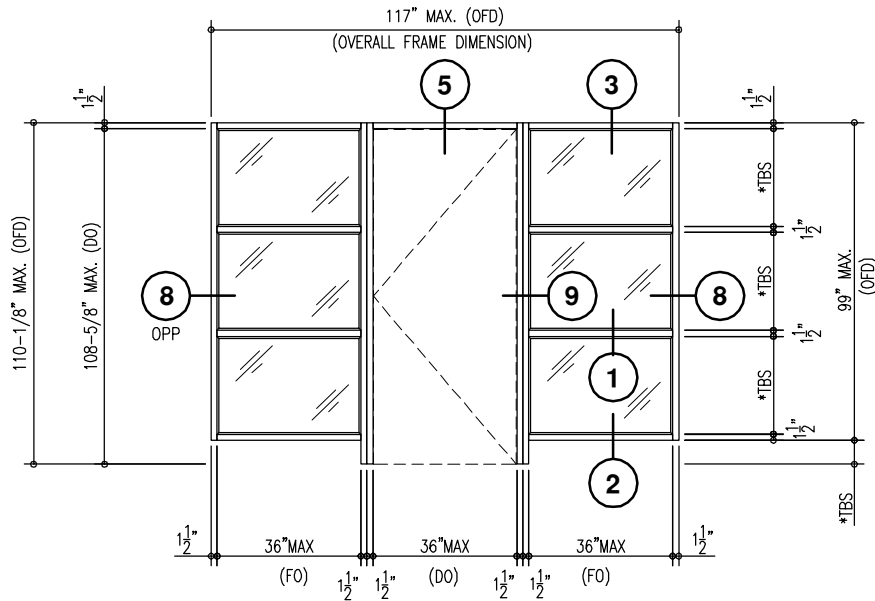
\*TBS = DIMENSION TO BE SPECIFIED

**Hardwood Series-45 Minute**

<b>WINDOW FRAMING</b>	<b>MAX. EXPOSED</b>	<b>MAX. EXPOSED</b>	<b>**MAX. WIDTH OF</b>	<b>**MAX. HEIGHT OF</b>
<b>RATING</b>	<b>GLASS TYPE</b>	<b>GLASS AREA PER SIDELITE</b>	<b>FRAME OPENING</b>	<b>FRAME OPENING</b>
45 MINUTES	*FIRELITE	3260 SQ. INCHES	36"	96"
45 MINUTES	FIRELITE NT	3260 SQ. INCHES	36"	96"
45 MINUTES	FIRELITE PLUS	3260 SQ. INCHES	36"	96"
45 MINUTES	FIRELITE IGU	3260 SQ. INCHES	36"	96"
45 MINUTES	PYROSTOP (19mm)	3260 SQ. INCHES	36"	96"
<b>DOOR FRAMING</b>	<b>MAX. SINGLE</b>			
<b>RATING</b>	<b>DOOR LEAF SIZE</b>			
45 MINUTES	36" X 108"			

\* FOR NON-SAFETY RATED APPLICATIONS ONLY

\*\* EXPOSED GLASS WIDTH AND HEIGHT WILL BE 1-1/2" LESS THAN WINDOW OPENING AFTER STOPS ARE APPLIED



**SINGLE DOOR FRAME WITH SIDELITES**  
(TYPE FF, SEPERATE FRAMES)

\*TBS = DIMENSION TO BE SPECIFIED

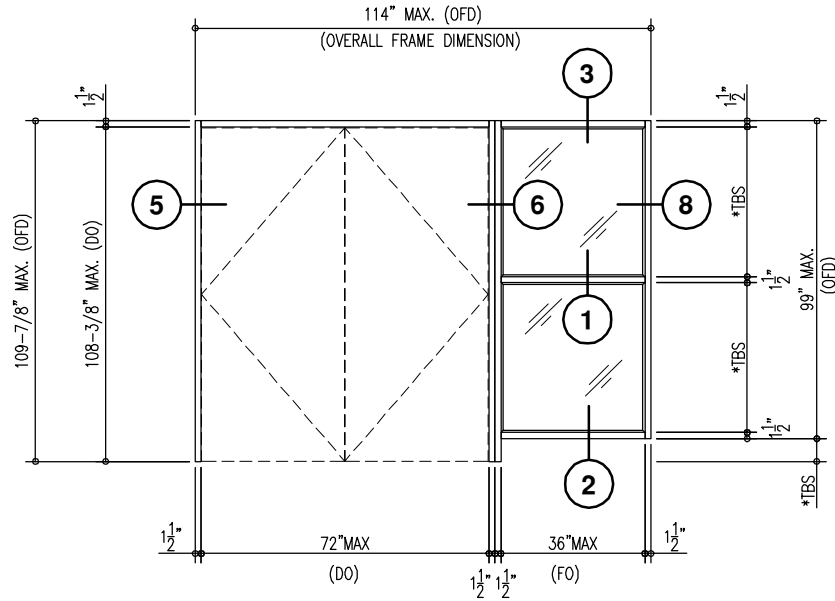
**Hardwood Series-45 Minute**

<b>WINDOW FRAMING</b>	<b>MAX. EXPOSED</b>	<b>MAX. EXPOSED</b>	<b>**MAX. WIDTH OF</b>	<b>**MAX. HEIGHT OF</b>
<b>RATING</b>	<b>GLASS TYPE</b>	<b>GLASS AREA PER SIDELITE</b>	<b>FRAME OPENING</b>	<b>FRAME OPENING</b>
45 MINUTES	*FIRELITE	3260 SQ. INCHES	36"	96"
45 MINUTES	FIRELITE NT	3260 SQ. INCHES	36"	96"
45 MINUTES	FIRELITE PLUS	3260 SQ. INCHES	36"	96"
45 MINUTES	FIRELITE IGU	3260 SQ. INCHES	36"	96"
45 MINUTES	PYROSTOP (19mm)	3260 SQ. INCHES	36"	96"
<b>DOOR FRAMING</b>	<b>MAX. SINGLE</b>			
<b>RATING</b>	<b>DOOR LEAF SIZE</b>			
45 MINUTES	36" X 108"			

\* FOR NON-SAFETY RATED APPLICATIONS ONLY

\*\* EXPOSED GLASS WIDTH AND HEIGHT WILL BE 1-1/2" LESS THAN WINDOW OPENING AFTER STOPS ARE APPLIED





**DOUBLE DOOR FRAME WITH SIDELITE  
(TYPE KK, SEPERATE FRAMES)**

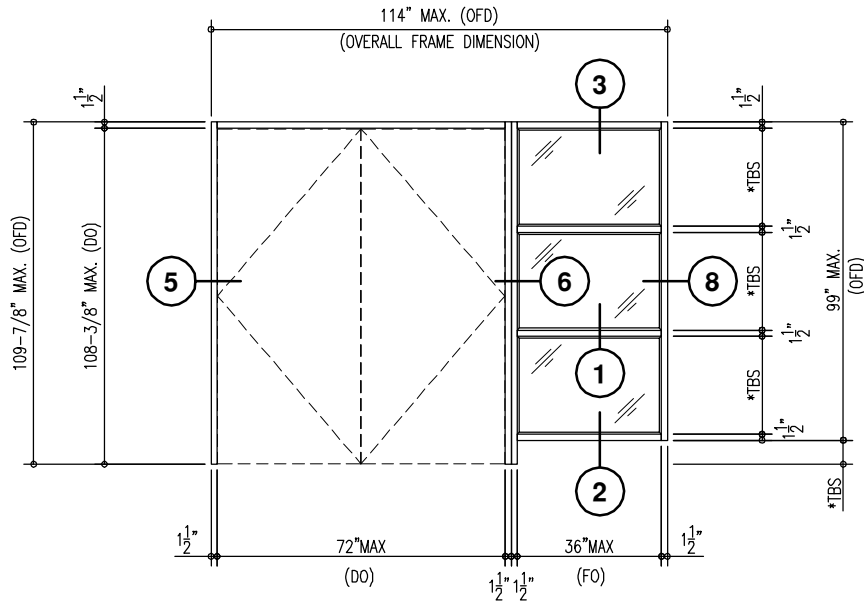
\*TBS = DIMENSION TO BE SPECIFIED

**Hardwood Series-45 Minute**

<u>WINDOW FRAMING</u>	<u>MAX. EXPOSED</u>	<u>MAX. EXPOSED</u>	<u>**MAX. WIDTH OF</u>	<u>**MAX. HEIGHT OF</u>
<u>RATING</u>	<u>GLASS TYPE</u>	<u>GLASS AREA PER SIDELIGHT</u>	<u>FRAME OPENING</u>	<u>FRAME OPENING</u>
45 MINUTES	*FIRELITE	3260 SQ. INCHES	36"	96"
45 MINUTES	FIRELITE NT	3260 SQ. INCHES	36"	96"
45 MINUTES	FIRELITE PLUS	3260 SQ. INCHES	36"	96"
45 MINUTES	FIRELITE IGU	3260 SQ. INCHES	36"	96"
45 MINUTES	PYROSTOP (19mm)	3260 SQ. INCHES	36"	96"
<b>DOOR FRAMING</b>		<b>MAX. PAIR</b>		
<u>RATING</u>	<u>DOOR OPENING SIZE</u>			
45 MINUTES	72" X 108"			

\* FOR NON-SAFETY RATED APPLICATIONS ONLY

\*\* EXPOSED GLASS WIDTH AND HEIGHT WILL BE 1-1/2" LESS THAN WINDOW OPENING AFTER STOPS ARE APPLIED



**DOUBLE DOOR FRAME WITH SIDELITE  
(TYPE LL)**

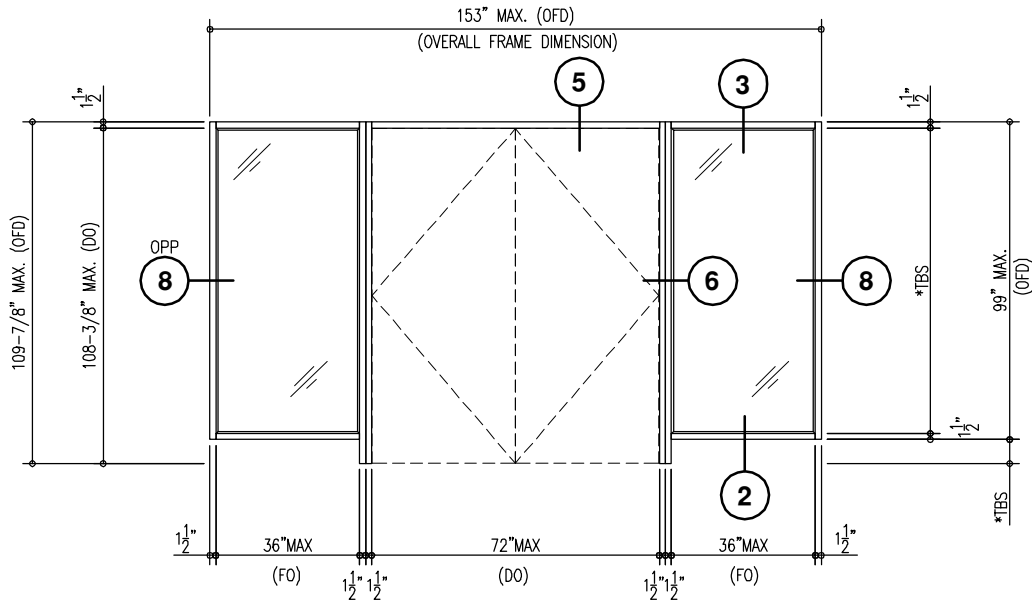
\*TBS = DIMENSION TO BE SPECIFIED

**Hardwood Series-45 Minute**

<b>WINDOW FRAMING</b>	<b>MAX. EXPOSED</b>	<b>MAX. EXPOSED</b>	<b>**MAX. WIDTH OF</b>	<b>**MAX. HEIGHT OF</b>
<b>RATING</b>	<b>GLASS TYPE</b>	<b>GLASS AREA PER SIDELITE</b>	<b>FRAME OPENING</b>	<b>FRAME OPENING</b>
45 MINUTES	*FIRELITE	3260 SQ. INCHES	36"	96"
45 MINUTES	FIRELITE NT	3260 SQ. INCHES	36"	96"
45 MINUTES	FIRELITE PLUS	3260 SQ. INCHES	36"	96"
45 MINUTES	FIRELITE IGU	3260 SQ. INCHES	36"	96"
45 MINUTES	PYROSTOP (19mm)	3260 SQ. INCHES	36"	96"
<b>DOOR FRAMING</b>		<b>MAX.</b>		
<b>RATING</b>	<b>DOOR PAIR SIZE</b>			
45 MINUTES	72" X 108"			

\* FOR NON-SAFETY RATED APPLICATIONS ONLY

\*\* EXPOSED GLASS WIDTH AND HEIGHT WILL BE 1-1/2" LESS THAN WINDOW OPENING AFTER STOPS ARE APPLIED



**DOUBLE DOOR FRAME WITH SIDELITES**  
(TYPE MM, SEPERATE FRAMES)

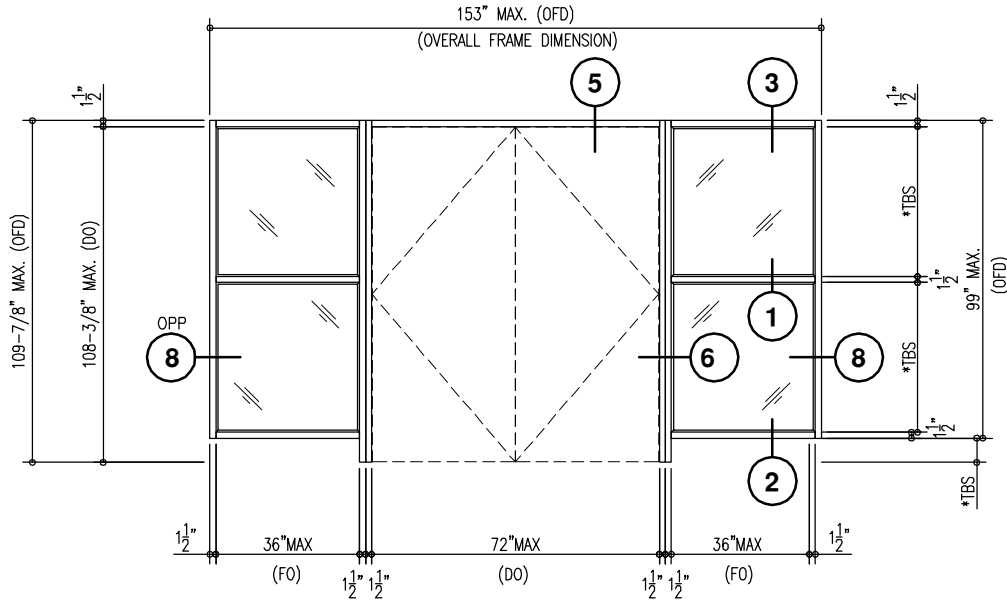
\*TBS = DIMENSION TO BE SPECIFIED

**Hardwood Series-45 Minute**

WINDOW FRAMING	MAX. EXPOSED	MAX. EXPOSED	**MAX. WIDTH OF	**MAX. HEIGHT OF
<u>RATING</u>	<u>GLASS TYPE</u>	<u>GLASS AREA PER SIDELITE</u>	<u>FRAME OPENING</u>	<u>FRAME OPENING</u>
45 MINUTES	*FIRELITE	3260 SQ. INCHES	36"	96"
45 MINUTES	FIRELITE NT	3260 SQ. INCHES	36"	96"
45 MINUTES	FIRELITE PLUS	3260 SQ. INCHES	36"	96"
45 MINUTES	FIRELITE IGU	3260 SQ. INCHES	36"	96"
45 MINUTES	PYROSTOP (19mm)	3260 SQ. INCHES	36"	96"
<b>DOOR FRAMING</b>	<b>MAX.</b>			
<u>RATING</u>	<u>DOOR PAIR SIZE</u>			
45 MINUTES	72" X 108"			

\* FOR NON-SAFETY RATED APPLICATIONS ONLY

\*\* EXPOSED GLASS WIDTH AND HEIGHT WILL BE 1-1/2" LESS THAN WINDOW OPENING AFTER STOPS ARE APPLIED



**DOUBLE DOOR FRAME WITH SIDELITES**  
(TYPE NN, SEPERATE FRAMES)

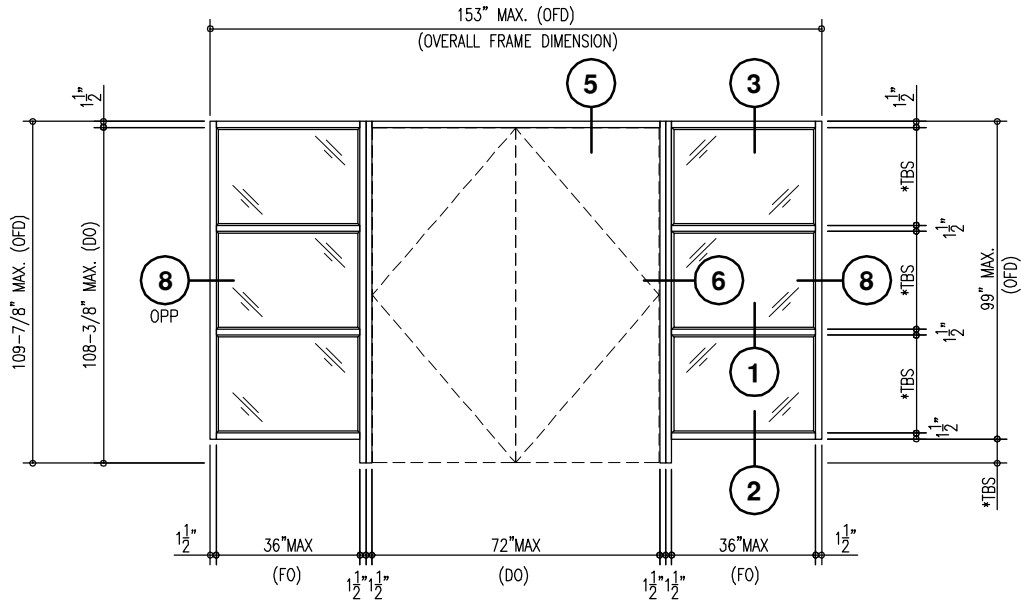
\*TBS = DIMENSION TO BE SPECIFIED

**Hardwood Series-45 Minute**

WINDOW FRAMING	MAX. EXPOSED	MAX. EXPOSED	**MAX. WIDTH OF	**MAX. HEIGHT OF
<u>RATING</u>	<u>GLASS TYPE</u>	<u>GLASS AREA PER SIDELITE</u>	<u>FRAME OPENING</u>	<u>FRAME OPENING</u>
45 MINUTES	*FIRELITE	3260 SQ. INCHES	36"	96"
45 MINUTES	FIRELITE NT	3260 SQ. INCHES	36"	96"
45 MINUTES	FIRELITE PLUS	3260 SQ. INCHES	36"	96"
45 MINUTES	FIRELITE IGU	3260 SQ. INCHES	36"	96"
45 MINUTES	PYROSTOP (19mm)	3260 SQ. INCHES	36"	96"
<b>DOOR FRAMING</b>	<b>MAX.</b>			
<u>RATING</u>	<u>DOOR PAIR SIZE</u>			
45 MINUTES	72" X 108"			

\* FOR NON-SAFETY RATED APPLICATIONS ONLY

\*\* EXPOSED GLASS WIDTH AND HEIGHT WILL BE 1-1/2" LESS THAN WINDOW OPENING AFTER STOPS ARE APPLIED



DOUBLE DOOR FRAME WITH SIDELITES  
(TYPE OO, SEPERATE FRAMES)

\*TBS = DIMENSION TO BE SPECIFIED

**Hardwood Series-45 Minute**

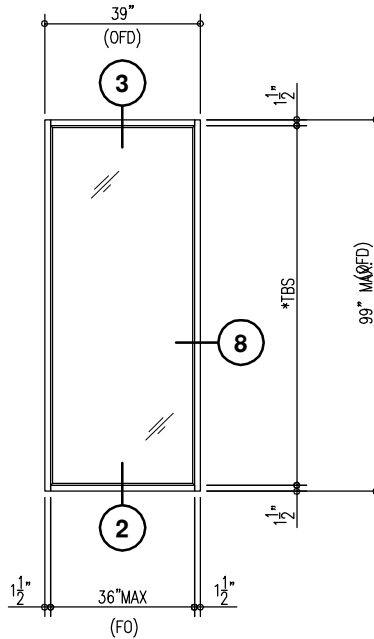
<u>WINDOW FRAMING</u>	<u>MAX. EXPOSED</u>	<u>MAX. EXPOSED</u>	<u>**MAX. WIDTH OF</u>	<u>**MAX. HEIGHT OF</u>
<u>RATING</u>	<u>GLASS TYPE</u>	<u>GLASS AREA PER SIDELITE</u>	<u>FRAME OPENING</u>	<u>FRAME OPENING</u>
45 MINUTES	*FIRELITE	3260 SQ. INCHES	36"	96"
45 MINUTES	FIRELITE NT	3260 SQ. INCHES	36"	96"
45 MINUTES	FIRELITE PLUS	3260 SQ. INCHES	36"	96"
45 MINUTES	FIRELITE IGU	3260 SQ. INCHES	36"	96"
45 MINUTES	PYROSTOP (19mm)	3260 SQ. INCHES	36"	96"

<u>DOOR FRAMING</u>	<u>MAX.</u>
<u>RATING</u>	<u>DOOR PAIR SIZE</u>
45 MINUTES	72" X 108"

\* FOR NON-SAFETY RATED APPLICATIONS ONLY

\*\* EXPOSED GLASS WIDTH AND HEIGHT WILL BE 1-1/2" LESS THAN WINDOW OPENING AFTER STOPS ARE APPLIED



SINGLE BAY WINDOW FRAME  
(TYPE R1)

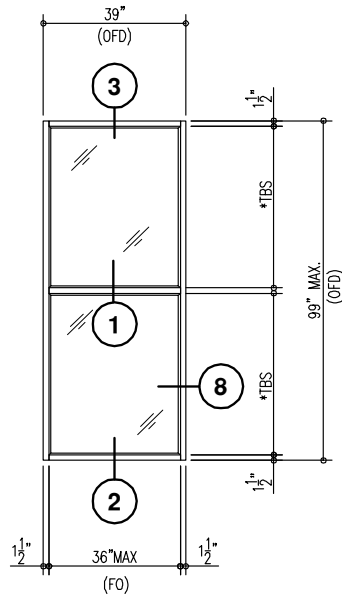
\*TBS = DIMENSION TO BE SPECIFIED

***Hardwood Series-45 Minute***

<u>WINDOW FRAMING</u>	<u>MAX. EXPOSED</u>	<u>MAX. EXPOSED</u>	<u>**MAX. WIDTH OF</u>	<u>**MAX. HEIGHT OF</u>
<u>RATING</u>	<u>GLASS TYPE</u>	<u>GLASS AREA PER BAY</u>	<u>FRAME OPENING</u>	<u>FRAME OPENING</u>
45 MINUTES	*FIRELITE	3260 SQ. INCHES	36"	96"
45 MINUTES	FIRELITE NT	3260 SQ. INCHES	36"	96"
45 MINUTES	FIRELITE PLUS	3260 SQ. INCHES	36"	96"
45 MINUTES	FIRELITE IGU	3260 SQ. INCHES	36"	96"
45 MINUTES	PYROSTOP (19mm)	3260 SQ. INCHES	36"	96"
45 MINUTE TRANSOM	ANY OF ABOVE LISTED	1339 SQ. INCHES	72"	20-1/2"

\* FOR NON-SAFETY RATED APPLICATIONS ONLY

\*\* EXPOSED GLASS WIDTH AND HEIGHT WILL BE 1-1/2" LESS THAN WINDOW OPENING AFTER STOPS ARE APPLIED



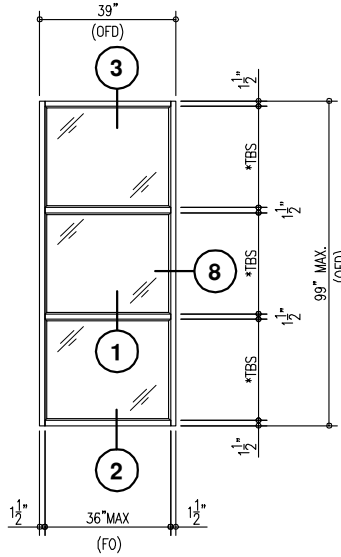
SINGLE BAY WINDOW FRAME WITH HORIZONTAL MULLION  
(TYPE R2)

\*TBS = DIMENSION TO BE SPECIFIED

***Hardwood Series-45 Minute***

<u>WINDOW FRAMING</u> <u>RATING</u>	<u>MAX. EXPOSED</u> <u>GLASS TYPE</u>	<u>MAX. EXPOSED</u> <u>GLASS AREA PER BAY</u>	<u>**MAX. WIDTH OF</u> <u>FRAME OPENING</u>	<u>**MAX. HEIGHT OF</u> <u>FRAME OPENING</u>
45 MINUTES	*FIRELITE	3260 SQ. INCHES	36"	96"
45 MINUTES	FIRELITE NT	3260 SQ. INCHES	36"	96"
45 MINUTES	FIRELITE PLUS	3260 SQ. INCHES	36"	96"
45 MINUTES	FIRELITE IGU	3260 SQ. INCHES	36"	96"
45 MINUTES	PYROSTOP (19mm)	3260 SQ. INCHES	36"	96"
45 MINUTE TRANSOM	ANY OF ABOVE LISTED	1339 SQ. INCHES	72"	20-1/2"

\* FOR NON-SAFETY RATED APPLICATIONS ONLY



SINGLE BAY WINDOW FRAME  
(TYPE R3)

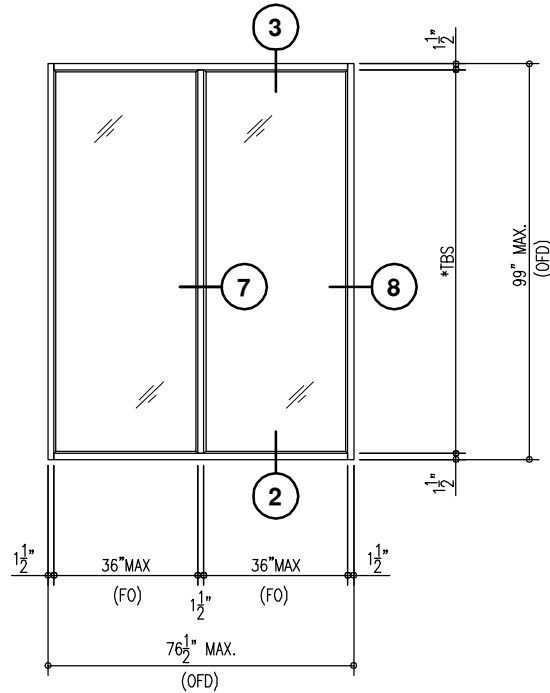
\*TBS = DIMENSION TO BE SPECIFIED

**Hardwood Series-45 Minute**

<u>WINDOW FRAMING</u>	<u>MAX. EXPOSED</u>	<u>MAX. EXPOSED</u>	<u>**MAX. WIDTH OF</u>	<u>**MAX. HEIGHT OF</u>
<u>RATING</u>	<u>GLASS TYPE</u>	<u>GLASS AREA PER BAY</u>	<u>FRAME OPENING</u>	<u>FRAME OPENING</u>
45 MINUTES	*FIRELITE	3260 SQ. INCHES	36"	96"
45 MINUTES	FIRELITE NT	3260 SQ. INCHES	36"	96"
45 MINUTES	FIRELITE PLUS	3260 SQ. INCHES	36"	96"
45 MINUTES	FIRELITE IGU	3260 SQ. INCHES	36"	96"
45 MINUTES	PYROSTOP (19mm)	3260 SQ. INCHES	36"	96"
45 MINUTE TRANSOM	ANY OF ABOVE LISTED	1339 SQ. INCHES	72"	20-1/2"

\* FOR NON-SAFETY RATED APPLICATIONS ONLY

\*\* EXPOSED GLASS WIDTH AND HEIGHT WILL BE 1-1/2" LESS THAN WINDOW OPENING AFTER STOPS ARE APPLIED



**TWO BAY WINDOW FRAME**  
**(TYPE R4)**

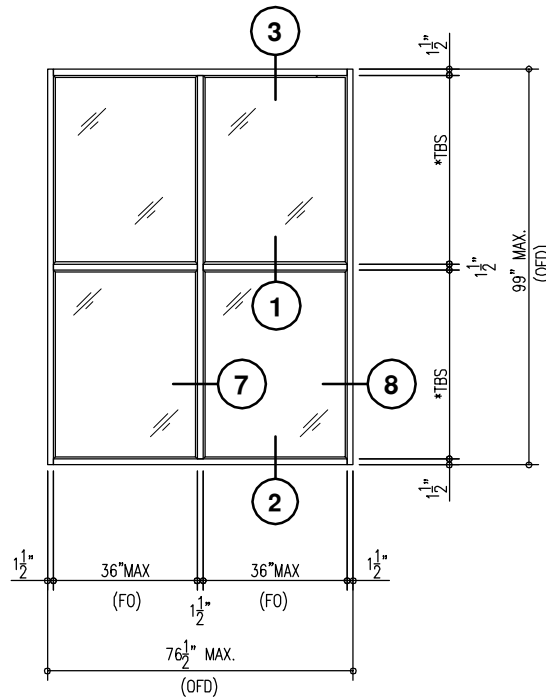
\*TBS = DIMENSION TO BE SPECIFIED

**Hardwood Series-45 Minute**

<b>WINDOW FRAMING</b>	<b>MAX. EXPOSED</b>	<b>MAX. EXPOSED</b>	<b>**MAX. WIDTH OF</b>	<b>**MAX. HEIGHT OF</b>
<b>RATING</b>	<b>GLASS TYPE</b>	<b>GLASS AREA PER BAY</b>	<b>FRAME OPENING</b>	<b>FRAME OPENING</b>
45 MINUTES	*FIRELITE	3260 SQ. INCHES	36"	96"
45 MINUTES	FIRELITE NT	3260 SQ. INCHES	36"	96"
45 MINUTES	FIRELITE PLUS	3260 SQ. INCHES	36"	96"
45 MINUTES	FIRELITE IGU	3260 SQ. INCHES	36"	96"
45 MINUTES	PYROSTOP (19mm)	3260 SQ. INCHES	36"	96"
45 MINUTE TRANSOM	ANY OF ABOVE LISTED	1339 SQ. INCHES	72"	20-1/2"

\* FOR NON-SAFETY RATED APPLICATIONS ONLY

\*\* EXPOSED GLASS WIDTH AND HEIGHT WILL BE 1-1/2" LESS THAN WINDOW OPENING AFTER STOPS ARE APPLIED



**TWO BAY WINDOW FRAME WITH HORIZONTAL MULLION**  
**(TYPE R5)**

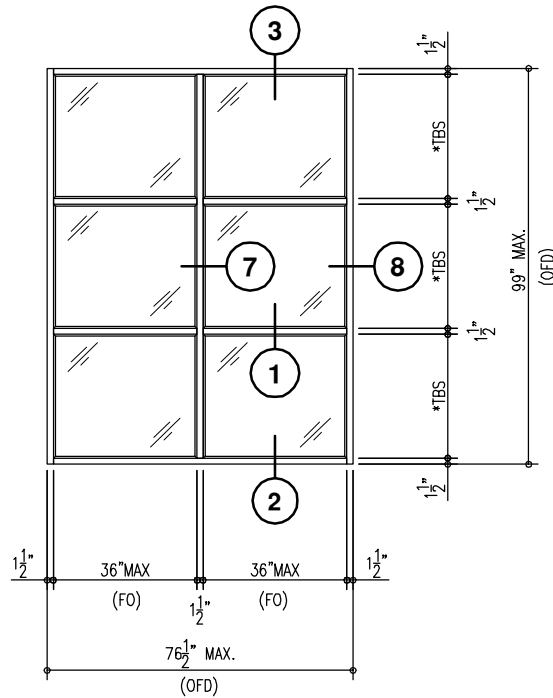
\*TBS = DIMENSION TO BE SPECIFIED

***Hardwood Series-45 Minute***

<u>WINDOW FRAMING</u>	<u>MAX. EXPOSED</u>	<u>MAX. EXPOSED</u>	<u>**MAX. WIDTH OF</u>	<u>**MAX. HEIGHT OF</u>
<u>RATING</u>	<u>GLASS TYPE</u>	<u>GLASS AREA PER BAY</u>	<u>FRAME OPENING</u>	<u>FRAME OPENING</u>
45 MINUTES	*FIRELITE	3260 SQ. INCHES	36"	96"
45 MINUTES	FIRELITE NT	3260 SQ. INCHES	36"	96"
45 MINUTES	FIRELITE PLUS	3260 SQ. INCHES	36"	96"
45 MINUTES	FIRELITE IGU	3260 SQ. INCHES	36"	96"
45 MINUTES	PYROSTOP (19mm)	3260 SQ. INCHES	36"	96"
45 MINUTE TRANSOM	ANY OF ABOVE LISTED	1339 SQ. INCHES	72"	20-1/2"

\* FOR NON-SAFETY RATED APPLICATIONS ONLY

\*\* EXPOSED GLASS WIDTH AND HEIGHT WILL BE 1-1/2" LESS THAN WINDOW OPENING AFTER STOPS ARE APPLIED



**TWO BAY WINDOW FRAME WITH 2 HORIZONTAL MULLIONS**  
**(TYPE R6)**

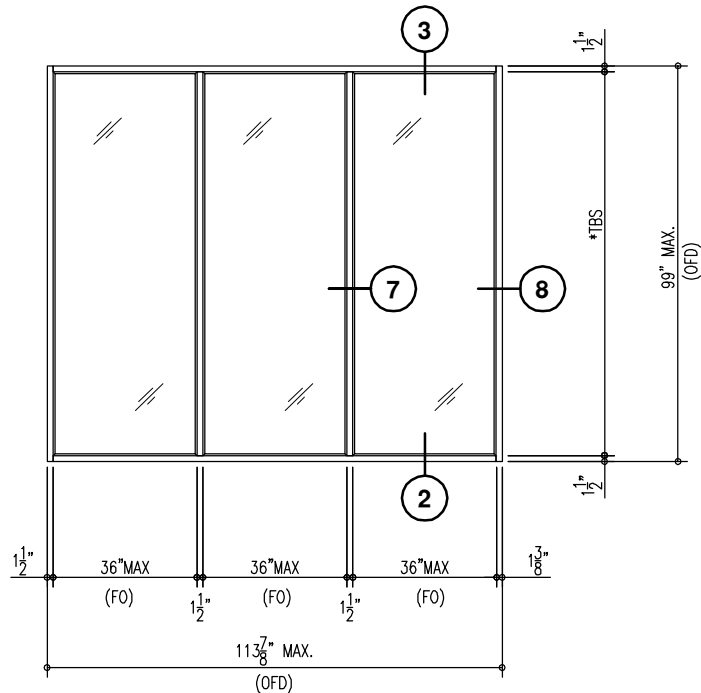
\*TBS = DIMENSION TO BE SPECIFIED

***Hardwood Series-45 Minute***

<b>WINDOW FRAMING</b>	<b>MAX. EXPOSED</b>	<b>MAX. EXPOSED</b>	<b>**MAX. WIDTH OF</b>	<b>**MAX. HEIGHT OF</b>
<b><u>RATING</u></b>	<b><u>GLASS TYPE</u></b>	<b><u>GLASS AREA PER BAY</u></b>	<b><u>FRAME OPENING</u></b>	<b><u>FRAME OPENING</u></b>
45 MINUTES	*FIRELITE	3260 SQ. INCHES	36"	96"
45 MINUTES	FIRELITE NT	3260 SQ. INCHES	36"	96"
45 MINUTES	FIRELITE PLUS	3260 SQ. INCHES	36"	96"
45 MINUTES	FIRELITE IGU	3260 SQ. INCHES	36"	96"
45 MINUTES	PYROSTOP (19mm)	3260 SQ. INCHES	36"	96"
45 MINUTE TRANSOM	ANY OF ABOVE LISTED	1339 SQ. INCHES	72"	20-1/2"

\* FOR NON-SAFETY RATED APPLICATIONS ONLY

\*\* EXPOSED GLASS WIDTH AND HEIGHT WILL BE 1-1/2" LESS THAN WINDOW OPENING AFTER STOPS ARE APPLIED



**THREE BAY WINDOW FRAME  
(TYPE R7)**

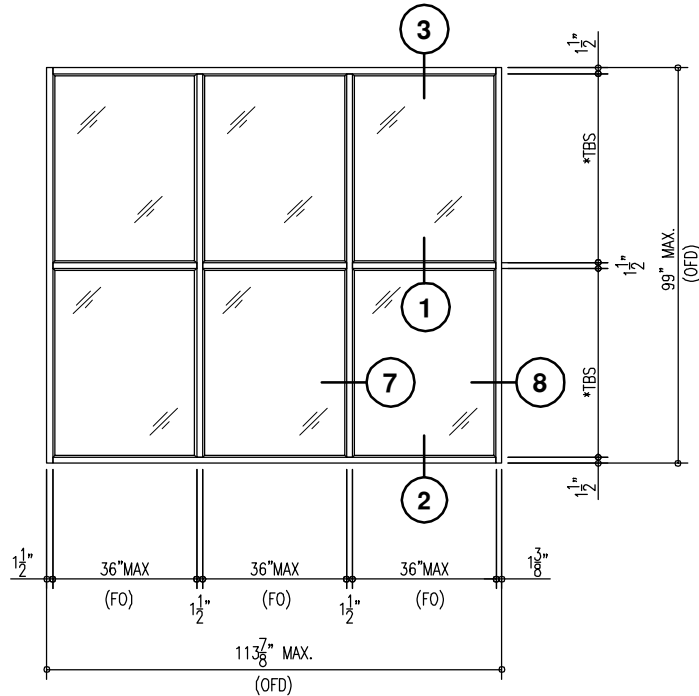
\*TBS = DIMENSION TO BE SPECIFIED

**Hardwood Series-45 Minute**

<b>WINDOW FRAMING RATING</b>	<b>MAX. EXPOSED GLASS TYPE</b>	<b>MAX. EXPOSED GLASS AREA PER BAY</b>	<b>**MAX. WIDTH OF FRAME OPENING</b>	<b>**MAX. HEIGHT OF FRAME OPENING</b>
45 MINUTES	*FIRELITE	3260 SQ. INCHES	36"	96"
45 MINUTES	FIRELITE NT	3260 SQ. INCHES	36"	96"
45 MINUTES	FIRELITE PLUS	3260 SQ. INCHES	36"	96"
45 MINUTES	FIRELITE IGU	3260 SQ. INCHES	36"	96"
45 MINUTES	PYROSTOP (19mm)	3260 SQ. INCHES	36"	96"
45 MINUTE TRANSOM	ANY OF ABOVE LISTED	1339 SQ. INCHES	72"	20-1/2"

\* FOR NON-SAFETY RATED APPLICATIONS ONLY

\*\* EXPOSED GLASS WIDTH AND HEIGHT WILL BE 1-1/2" LESS THAN WINDOW OPENING AFTER STOPS ARE APPLIED



**THREE BAY WINDOW FRAME WITH HORIZONTAL MULLION  
(TYPE R8)**

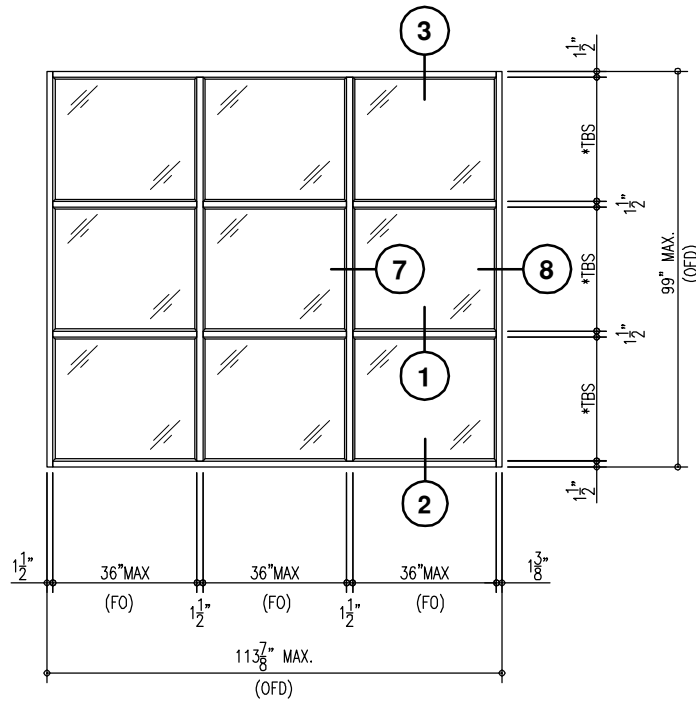
\*TBS = DIMENSION TO BE SPECIFIED

**Hardwood Series-45 Minute**

<b>WINDOW FRAMING RATING</b>	<b>MAX. EXPOSED GLASS TYPE</b>	<b>MAX. EXPOSED GLASS AREA PER BAY</b>	<b>**MAX. WIDTH OF FRAME OPENING</b>	<b>**MAX. HEIGHT OF FRAME OPENING</b>
45 MINUTES	*FIRELITE	3260 SQ. INCHES	36"	96"
45 MINUTES	FIRELITE NT	3260 SQ. INCHES	36"	96"
45 MINUTES	FIRELITE PLUS	3260 SQ. INCHES	36"	96"
45 MINUTES	FIRELITE IGU	3260 SQ. INCHES	36"	96"
45 MINUTES	PYROSTOP (19mm)	3260 SQ. INCHES	36"	96"
45 MINUTE TRANSOM	ANY OF ABOVE LISTED	1339 SQ. INCHES	72"	20-1/2"

\* FOR NON-SAFETY RATED APPLICATIONS ONLY

\*\* EXPOSED GLASS WIDTH AND HEIGHT WILL BE 1-1/2" LESS THAN WINDOW OPENING AFTER STOPS ARE APPLIED



**THREE BAY WINDOW FRAME WITH 2 HORIZONTAL MULLIONS  
(TYPE R9)**

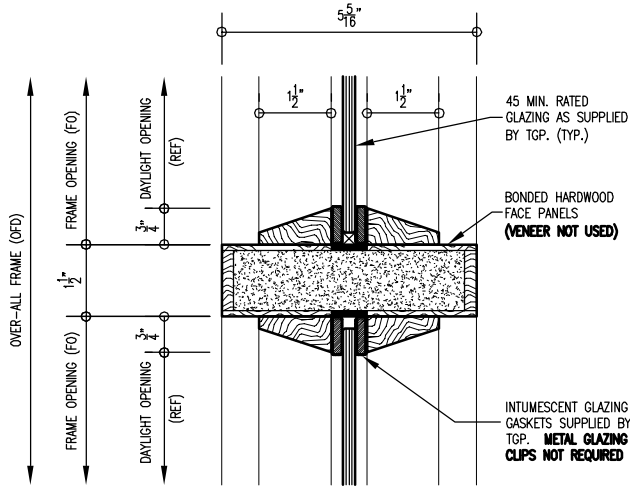
\*TBS = DIMENSION TO BE SPECIFIED

**Hardwood Series-45 Minute**

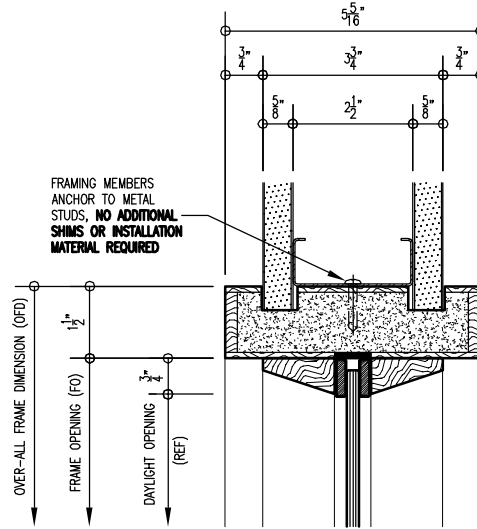
<b>WINDOW FRAMING RATING</b>	<b>MAX. EXPOSED GLASS TYPE</b>	<b>MAX. EXPOSED GLASS AREA PER BAY</b>	<b>**MAX. WIDTH OF FRAME OPENING</b>	<b>**MAX. HEIGHT OF FRAME OPENING</b>
45 MINUTES	*FIRELITE	3260 SQ. INCHES	36"	96"
45 MINUTES	FIRELITE NT	3260 SQ. INCHES	36"	96"
45 MINUTES	FIRELITE PLUS	3260 SQ. INCHES	36"	96"
45 MINUTES	FIRELITE IGU	3260 SQ. INCHES	36"	96"
45 MINUTES	PYROSTOP (19mm)	3260 SQ. INCHES	36"	96"
45 MINUTE TRANSOM	ANY OF ABOVE LISTED	1339 SQ. INCHES	72"	20-1/2"

\* FOR NON-SAFETY RATED APPLICATIONS ONLY

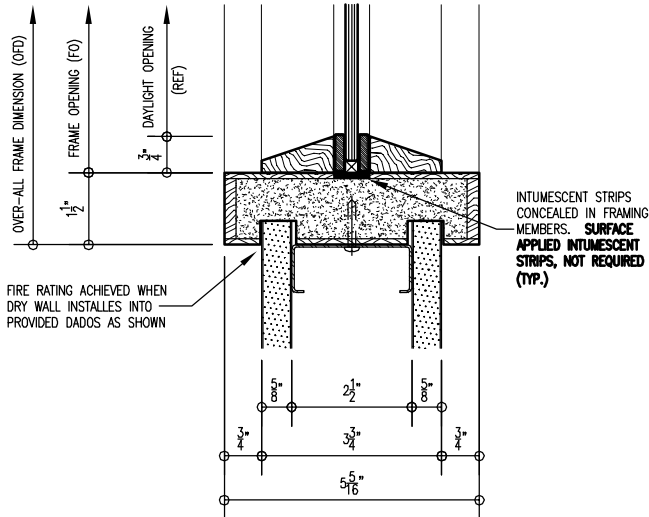
\*\* EXPOSED GLASS WIDTH AND HEIGHT WILL BE 1-1/2" LESS THAN WINDOW OPENING AFTER STOPS ARE APPLIED



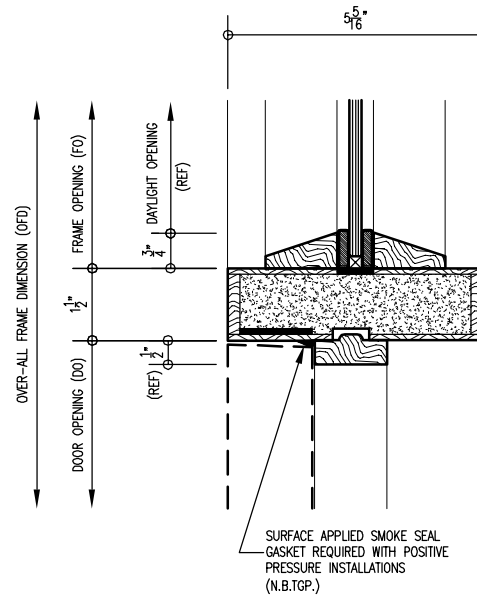
**1** MULLION SECTION



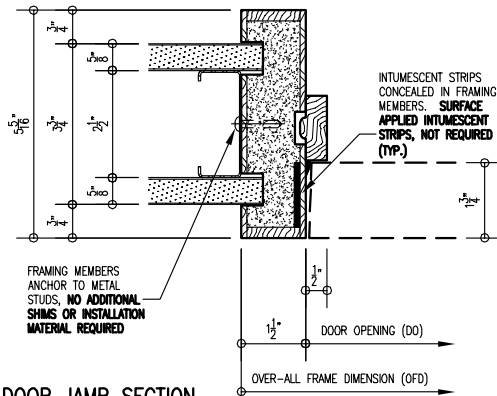
**3** HEAD SECTION



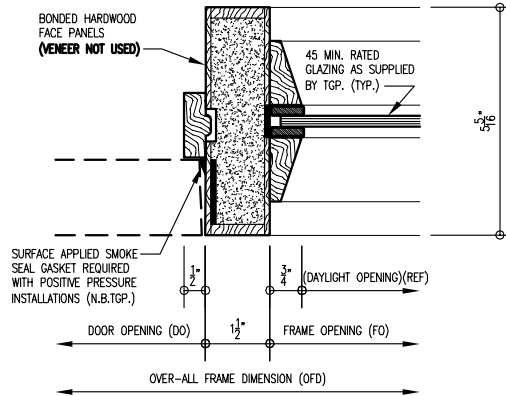
**2** SILL SECTION



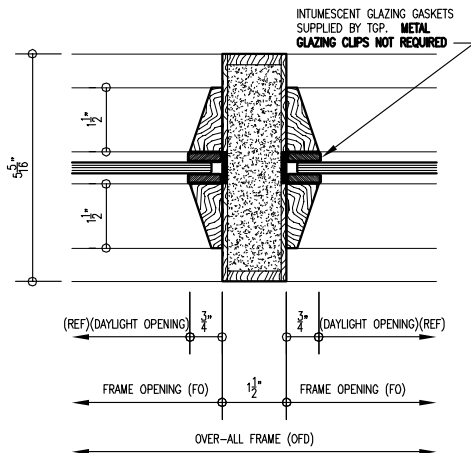
**4** DOOR HEADER SECTION



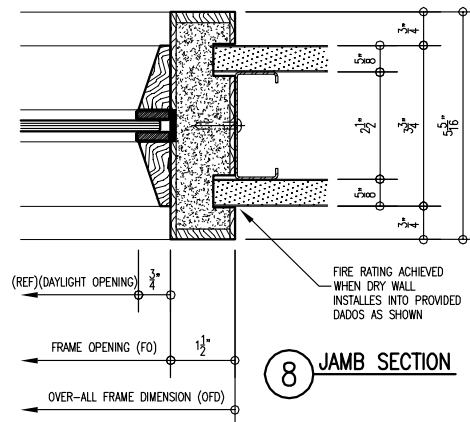
**5 DOOR JAMB SECTION**



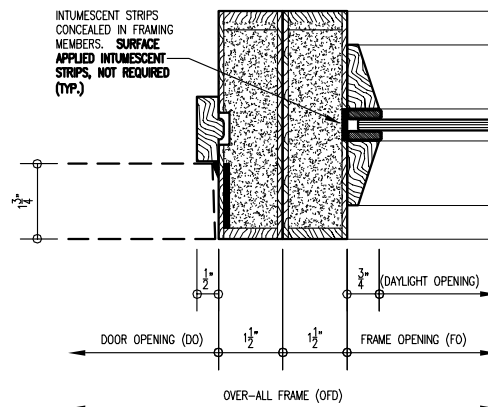
**6 COMMON MULLION SECTION**



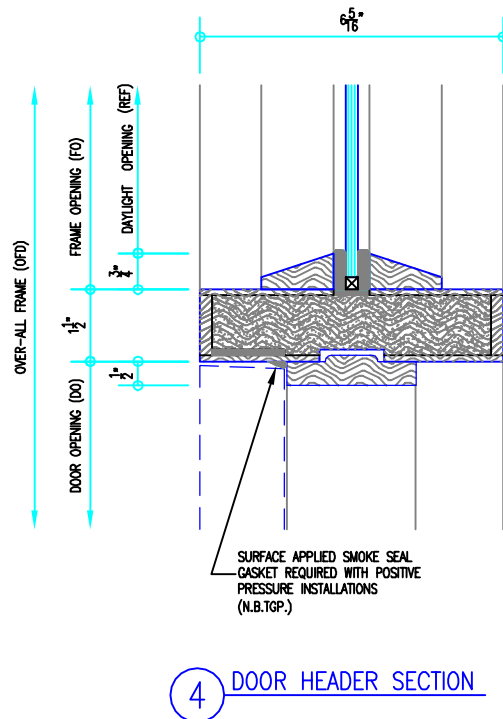
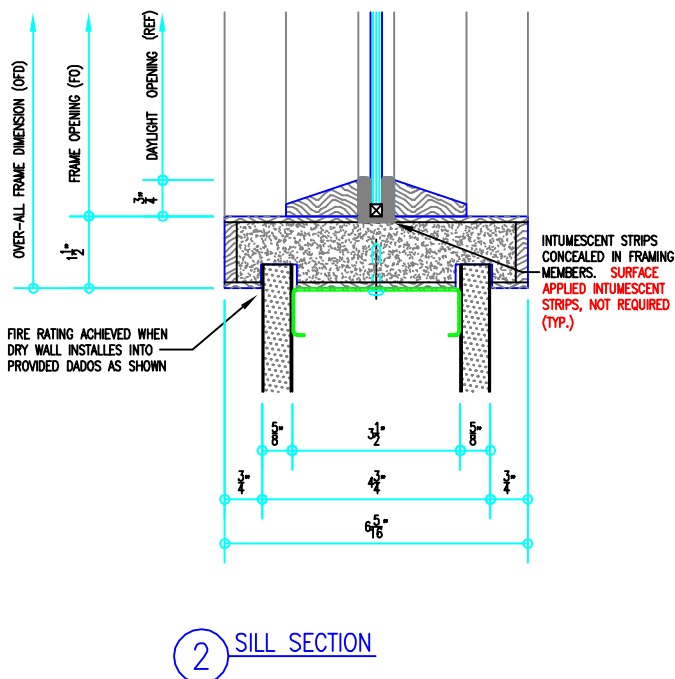
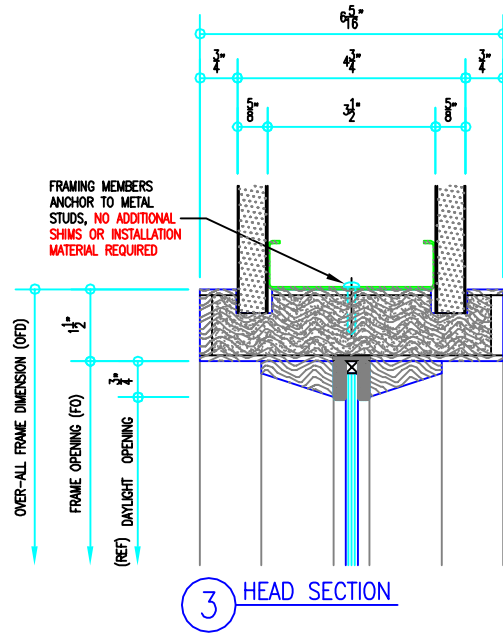
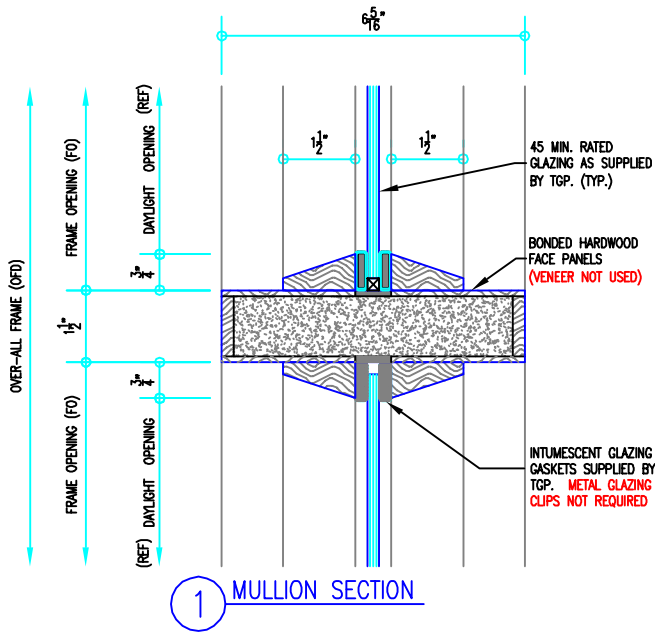
**7 MULLION SECTION**

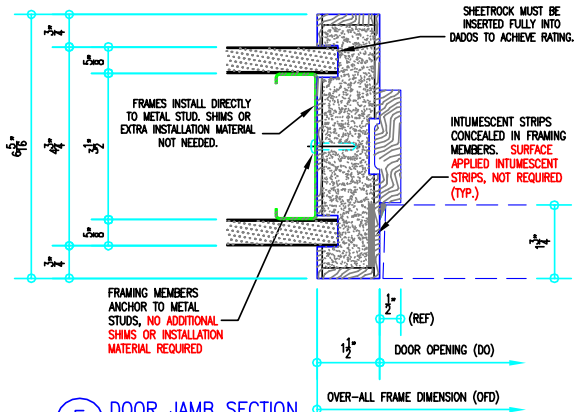


**8 JAMB SECTION**

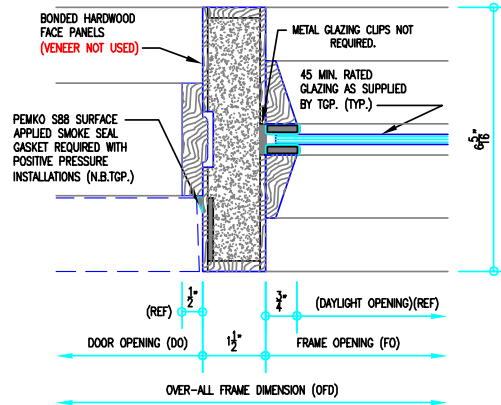


**9 BACK TO BACK MULLION SECTION**

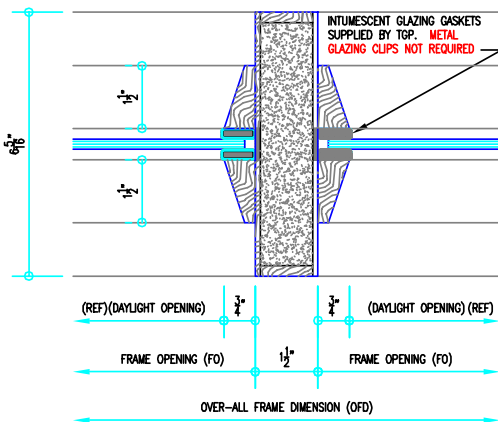




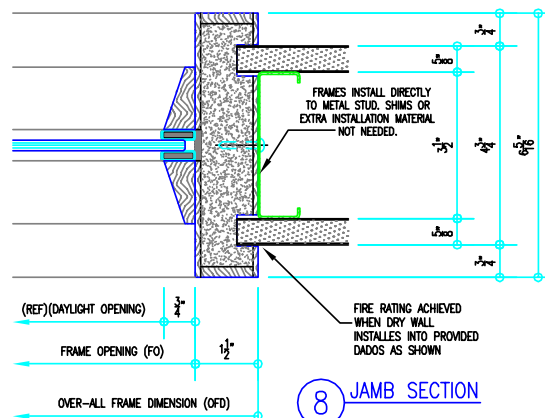
5 DOOR JAMB SECTION



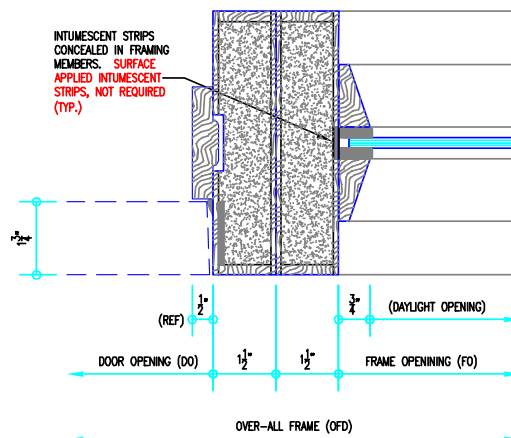
6 COMMON MULLION SECTION



7 MULLION SECTION



8 JAMB SECTION



9 BACK TO BACK MULLION SECTION