

SINGLE BAY WINDOW FRAME
(TYPE R1)

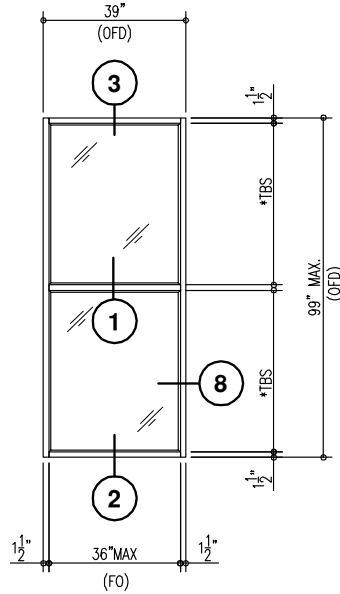
*TBS = DIMENSION TO BE SPECIFIED

Hardwood Series-45 Minute

<u>WINDOW FRAMING</u> <u>RATING</u>	<u>MAX. EXPOSED</u> <u>GLASS TYPE</u>	<u>MAX. EXPOSED</u> <u>GLASS AREA PER BAY</u>	<u>**MAX. WIDTH OF</u> <u>FRAME OPENING</u>	<u>**MAX. HEIGHT OF</u> <u>FRAME OPENING</u>
45 MINUTES	*FIRELITE	3260 SQ. INCHES	36"	96"
45 MINUTES	FIRELITE NT	3260 SQ. INCHES	36"	96"
45 MINUTES	FIRELITE PLUS	3260 SQ. INCHES	36"	96"
45 MINUTES	FIRELITE IGU	3260 SQ. INCHES	36"	96"
45 MINUTES	PYROSTOP (19mm)	3260 SQ. INCHES	36"	96"
45 MINUTE TRANSOM	ANY OF ABOVE LISTED	1339 SQ. INCHES	72"	20-1/2"

* FOR NON-SAFETY RATED APPLICATIONS ONLY

** EXPOSED GLASS WIDTH AND HEIGHT WILL BE 1-1/2" LESS THAN WINDOW OPENING AFTER STOPS ARE APPLIED



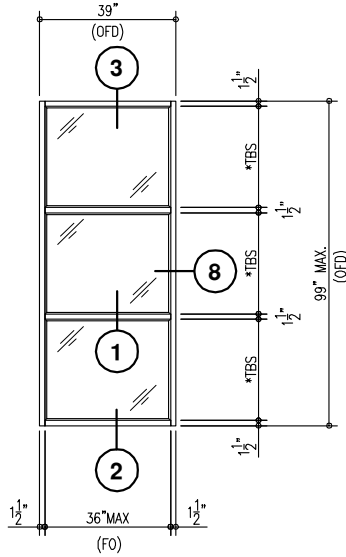
SINGLE BAY WINDOW FRAME WITH HORIZONTAL MULLION
(TYPE R2)

*TBS = DIMENSION TO BE SPECIFIED

Hardwood Series-45 Minute

<u>WINDOW FRAMING</u>	<u>MAX. EXPOSED</u>	<u>MAX. EXPOSED</u>	<u>**MAX. WIDTH OF</u>	<u>**MAX. HEIGHT OF</u>
<u>RATING</u>	<u>GLASS TYPE</u>	<u>GLASS AREA PER BAY</u>	<u>FRAME OPENING</u>	<u>FRAME OPENING</u>
45 MINUTES	*FIRELITE	3260 SQ. INCHES	36"	96"
45 MINUTES	FIRELITE NT	3260 SQ. INCHES	36"	96"
45 MINUTES	FIRELITE PLUS	3260 SQ. INCHES	36"	96"
45 MINUTES	FIRELITE IGU	3260 SQ. INCHES	36"	96"
45 MINUTES	PYROSTOP (19mm)	3260 SQ. INCHES	36"	96"
45 MINUTE TRANSOM	ANY OF ABOVE LISTED	1339 SQ. INCHES	72"	20-1/2"

* FOR NON-SAFETY RATED APPLICATIONS ONLY



SINGLE BAY WINDOW FRAME
(TYPE R3)

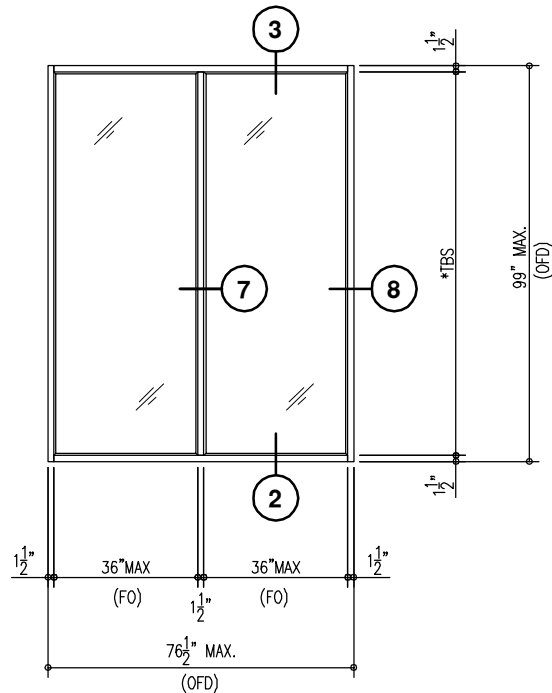
*TBS = DIMENSION TO BE SPECIFIED

Hardwood Series-45 Minute

<u>WINDOW FRAMING</u>	<u>MAX. EXPOSED</u>	<u>MAX. EXPOSED</u>	<u>**MAX. WIDTH OF</u>	<u>**MAX. HEIGHT OF</u>
<u>RATING</u>	<u>GLASS TYPE</u>	<u>GLASS AREA PER BAY</u>	<u>FRAME OPENING</u>	<u>FRAME OPENING</u>
45 MINUTES	*FIRELITE	3260 SQ. INCHES	36"	96"
45 MINUTES	FIRELITE NT	3260 SQ. INCHES	36"	96"
45 MINUTES	FIRELITE PLUS	3260 SQ. INCHES	36"	96"
45 MINUTES	FIRELITE IGU	3260 SQ. INCHES	36"	96"
45 MINUTES	PYROSTOP (19mm)	3260 SQ. INCHES	36"	96"
45 MINUTE TRANSOM	ANY OF ABOVE LISTED	1339 SQ. INCHES	72"	20-1/2"

* FOR NON-SAFETY RATED APPLICATIONS ONLY

** EXPOSED GLASS WIDTH AND HEIGHT WILL BE 1-1/2" LESS THAN WINDOW OPENING AFTER STOPS ARE APPLIED



TWO BAY WINDOW FRAME
(TYPE R4)

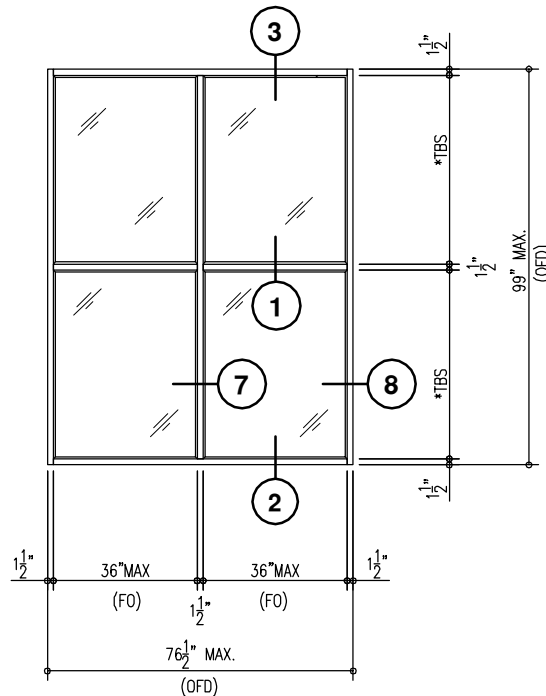
*TBS = DIMENSION TO BE SPECIFIED

Hardwood Series-45 Minute

WINDOW FRAMING	MAX. EXPOSED	MAX. EXPOSED	**MAX. WIDTH OF	**MAX. HEIGHT OF
RATING	GLASS TYPE	GLASS AREA PER BAY	FRAME OPENING	FRAME OPENING
45 MINUTES	*FIRELITE	3260 SQ. INCHES	36"	96"
45 MINUTES	FIRELITE NT	3260 SQ. INCHES	36"	96"
45 MINUTES	FIRELITE PLUS	3260 SQ. INCHES	36"	96"
45 MINUTES	FIRELITE IGU	3260 SQ. INCHES	36"	96"
45 MINUTES	PYROSTOP (19mm)	3260 SQ. INCHES	36"	96"
45 MINUTE TRANSOM	ANY OF ABOVE LISTED	1339 SQ. INCHES	72"	20-1/2"

* FOR NON-SAFETY RATED APPLICATIONS ONLY

** EXPOSED GLASS WIDTH AND HEIGHT WILL BE 1-1/2" LESS THAN WINDOW OPENING AFTER STOPS ARE APPLIED



TWO BAY WINDOW FRAME WITH HORIZONTAL MULLION
(TYPE R5)

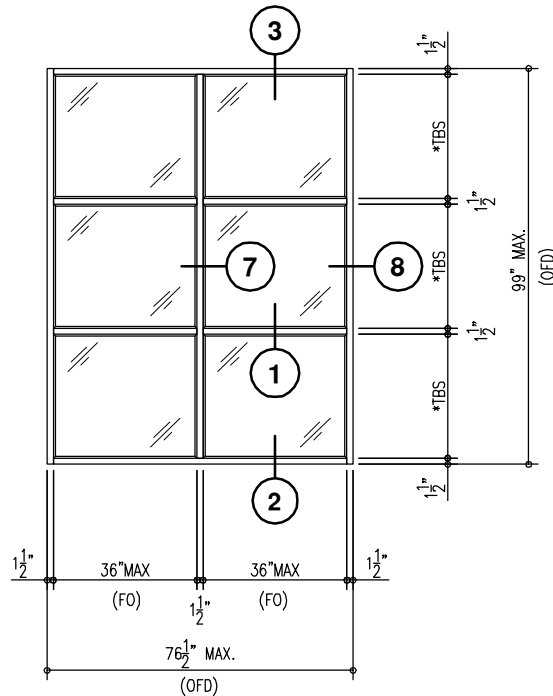
*TBS = DIMENSION TO BE SPECIFIED

Hardwood Series-45 Minute

<u>WINDOW FRAMING</u>	<u>MAX. EXPOSED</u>	<u>MAX. EXPOSED</u>	<u>**MAX. WIDTH OF</u>	<u>**MAX. HEIGHT OF</u>
<u>RATING</u>	<u>GLASS TYPE</u>	<u>GLASS AREA PER BAY</u>	<u>FRAME OPENING</u>	<u>FRAME OPENING</u>
45 MINUTES	*FIRELITE	3260 SQ. INCHES	36"	96"
45 MINUTES	FIRELITE NT	3260 SQ. INCHES	36"	96"
45 MINUTES	FIRELITE PLUS	3260 SQ. INCHES	36"	96"
45 MINUTES	FIRELITE IGU	3260 SQ. INCHES	36"	96"
45 MINUTES	PYROSTOP (19mm)	3260 SQ. INCHES	36"	96"
45 MINUTE TRANSOM	ANY OF ABOVE LISTED	1339 SQ. INCHES	72"	20-1/2"

* FOR NON-SAFETY RATED APPLICATIONS ONLY

** EXPOSED GLASS WIDTH AND HEIGHT WILL BE 1-1/2" LESS THAN WINDOW OPENING AFTER STOPS ARE APPLIED



TWO BAY WINDOW FRAME WITH 2 HORIZONTAL MULLIONS
(TYPE R6)

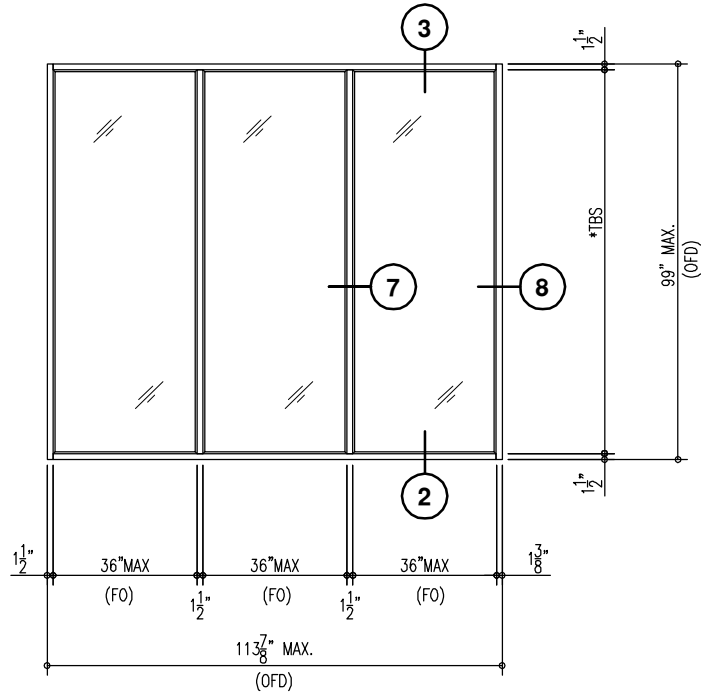
*TBS = DIMENSION TO BE SPECIFIED

Hardwood Series-45 Minute

WINDOW FRAMING	MAX. EXPOSED	MAX. EXPOSED	**MAX. WIDTH OF	**MAX. HEIGHT OF
<u>RATING</u>	<u>GLASS TYPE</u>	<u>GLASS AREA PER BAY</u>	<u>FRAME OPENING</u>	<u>FRAME OPENING</u>
45 MINUTES	*FIRELITE	3260 SQ. INCHES	36"	96"
45 MINUTES	FIRELITE NT	3260 SQ. INCHES	36"	96"
45 MINUTES	FIRELITE PLUS	3260 SQ. INCHES	36"	96"
45 MINUTES	FIRELITE IGU	3260 SQ. INCHES	36"	96"
45 MINUTES	PYROSTOP (19mm)	3260 SQ. INCHES	36"	96"
45 MINUTE TRANSOM	ANY OF ABOVE LISTED	1339 SQ. INCHES	72"	20-1/2"

* FOR NON-SAFETY RATED APPLICATIONS ONLY

** EXPOSED GLASS WIDTH AND HEIGHT WILL BE 1-1/2" LESS THAN WINDOW OPENING AFTER STOPS ARE APPLIED



THREE BAY WINDOW FRAME
(TYPE R7)

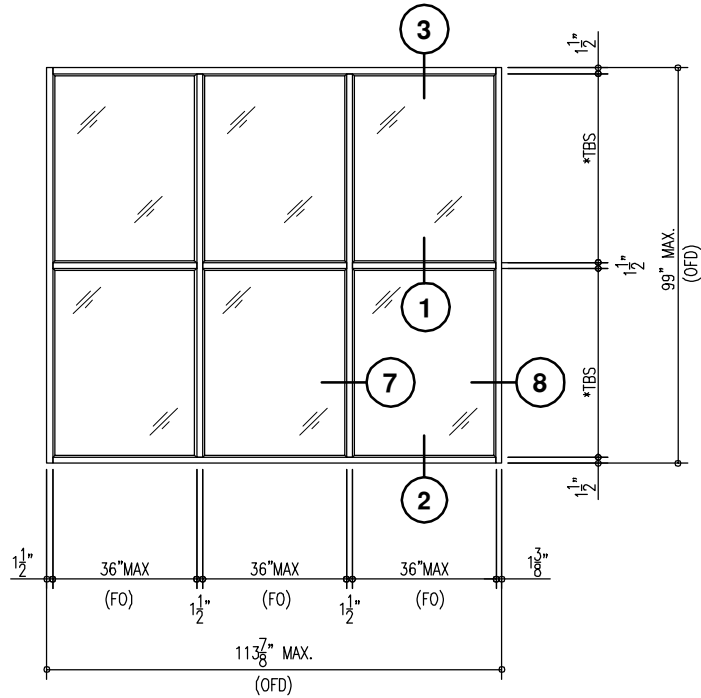
*TBS = DIMENSION TO BE SPECIFIED

Hardwood Series-45 Minute

WINDOW FRAMING	MAX. EXPOSED	MAX. EXPOSED	**MAX. WIDTH OF	**MAX. HEIGHT OF
RATING	GLASS TYPE	GLASS AREA PER BAY	FRAME OPENING	FRAME OPENING
45 MINUTES	*FIRELITE	3260 SQ. INCHES	36"	96"
45 MINUTES	FIRELITE NT	3260 SQ. INCHES	36"	96"
45 MINUTES	FIRELITE PLUS	3260 SQ. INCHES	36"	96"
45 MINUTES	FIRELITE IGU	3260 SQ. INCHES	36"	96"
45 MINUTES	PYROSTOP (19mm)	3260 SQ. INCHES	36"	96"
45 MINUTE TRANSOM	ANY OF ABOVE LISTED	1339 SQ. INCHES	72"	20-1/2"

* FOR NON-SAFETY RATED APPLICATIONS ONLY

** EXPOSED GLASS WIDTH AND HEIGHT WILL BE 1-1/2" LESS THAN WINDOW OPENING AFTER STOPS ARE APPLIED



THREE BAY WINDOW FRAME WITH HORIZONTAL MULLION
(TYPE R8)

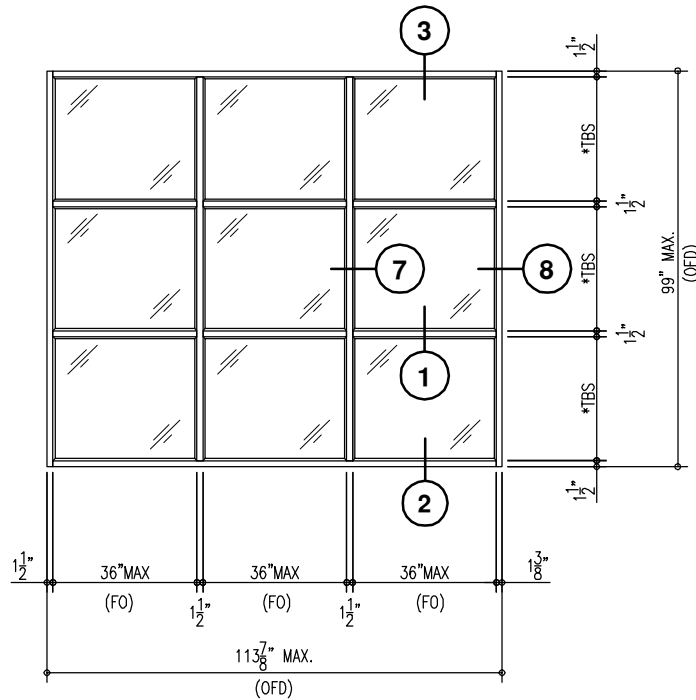
*TBS = DIMENSION TO BE SPECIFIED

Hardwood Series-45 Minute

<u>WINDOW FRAMING RATING</u>	<u>MAX. EXPOSED GLASS TYPE</u>	<u>MAX. EXPOSED GLASS AREA PER BAY</u>	<u>**MAX. WIDTH OF FRAME OPENING</u>	<u>**MAX. HEIGHT OF FRAME OPENING</u>
45 MINUTES	*FIRELITE	3260 SQ. INCHES	36"	96"
45 MINUTES	FIRELITE NT	3260 SQ. INCHES	36"	96"
45 MINUTES	FIRELITE PLUS	3260 SQ. INCHES	36"	96"
45 MINUTES	FIRELITE IGU	3260 SQ. INCHES	36"	96"
45 MINUTES	PYROSTOP (19mm)	3260 SQ. INCHES	36"	96"
45 MINUTE TRANSOM	ANY OF ABOVE LISTED	1339 SQ. INCHES	72"	20-1/2"

* FOR NON-SAFETY RATED APPLICATIONS ONLY

** EXPOSED GLASS WIDTH AND HEIGHT WILL BE 1-1/2" LESS THAN WINDOW OPENING AFTER STOPS ARE APPLIED



THREE BAY WINDOW FRAME WITH 2 HORIZONTAL MULLIONS
(TYPE R9)

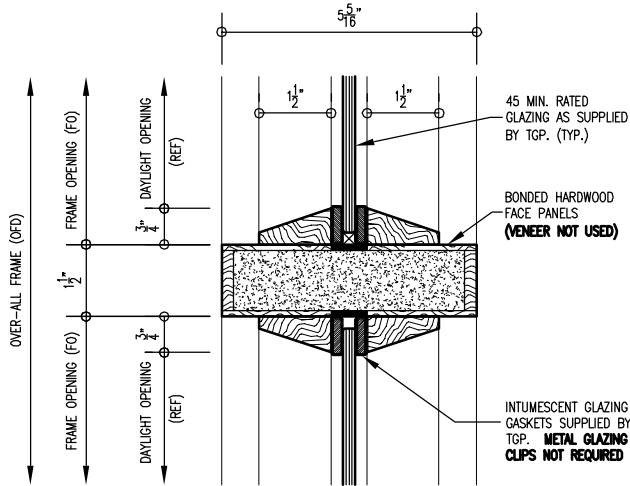
*TBS = DIMENSION TO BE SPECIFIED

Hardwood Series-45 Minute

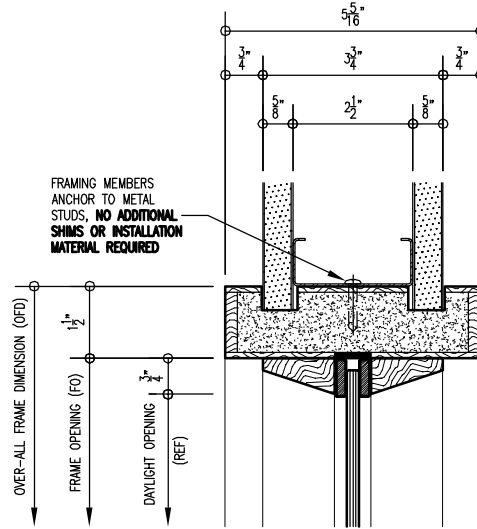
WINDOW FRAMING	MAX. EXPOSED	MAX. EXPOSED	**MAX. WIDTH OF	**MAX. HEIGHT OF
RATING	GLASS TYPE	GLASS AREA PER BAY	FRAME OPENING	FRAME OPENING
45 MINUTES	*FIRELITE	3260 SQ. INCHES	36"	96"
45 MINUTES	FIRELITE NT	3260 SQ. INCHES	36"	96"
45 MINUTES	FIRELITE PLUS	3260 SQ. INCHES	36"	96"
45 MINUTES	FIRELITE IGU	3260 SQ. INCHES	36"	96"
45 MINUTES	PYROSTOP (19mm)	3260 SQ. INCHES	36"	96"
45 MINUTE TRANSOM	ANY OF ABOVE LISTED	1339 SQ. INCHES	72"	20-1/2"

* FOR NON-SAFETY RATED APPLICATIONS ONLY

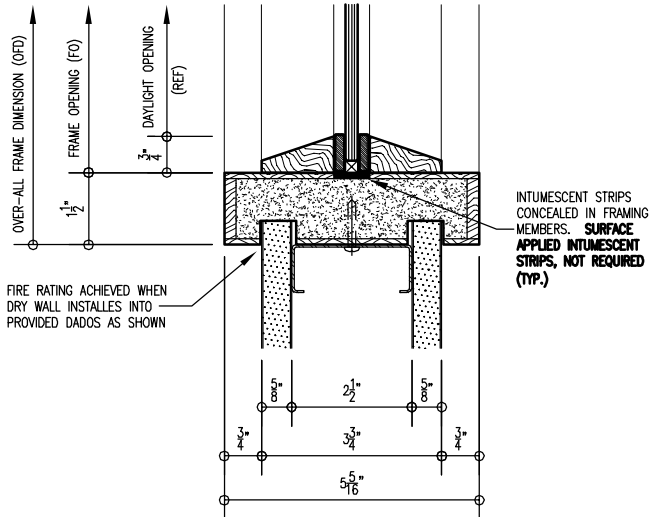
** EXPOSED GLASS WIDTH AND HEIGHT WILL BE 1-1/2" LESS THAN WINDOW OPENING AFTER STOPS ARE APPLIED



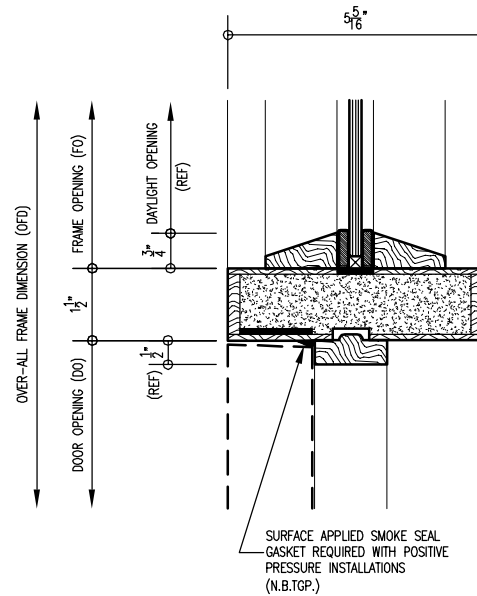
1 MULLION SECTION



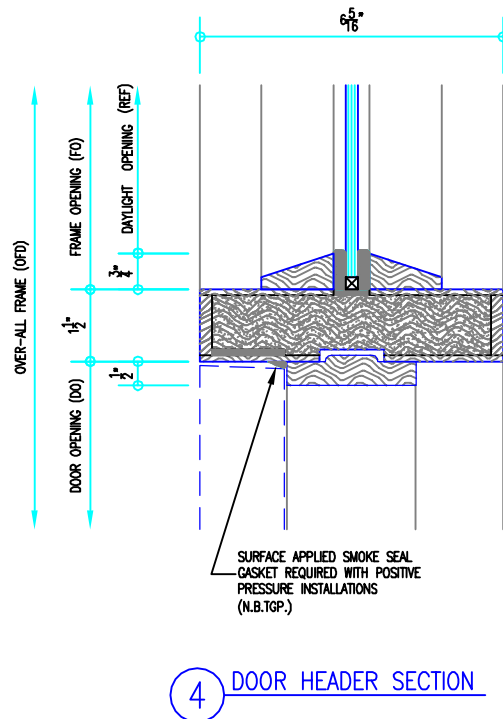
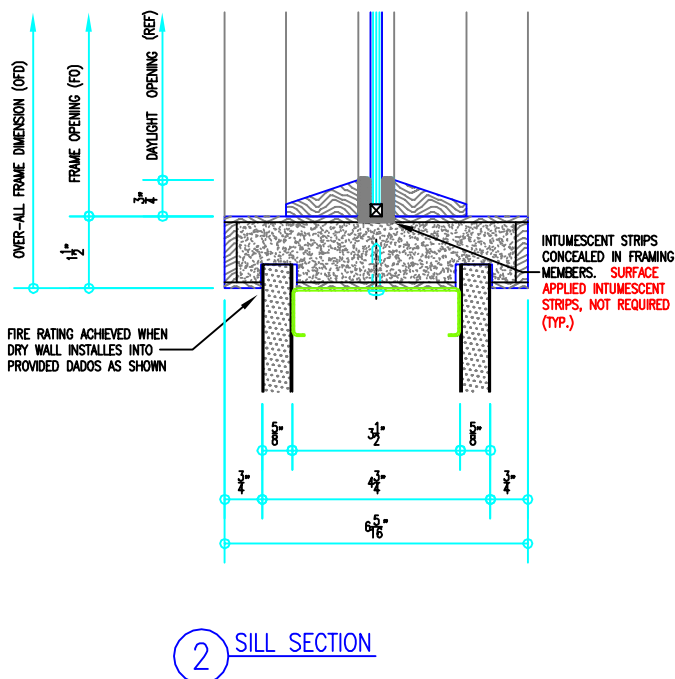
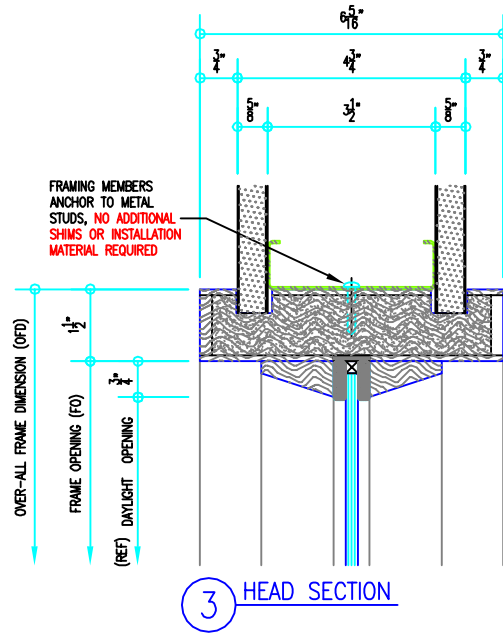
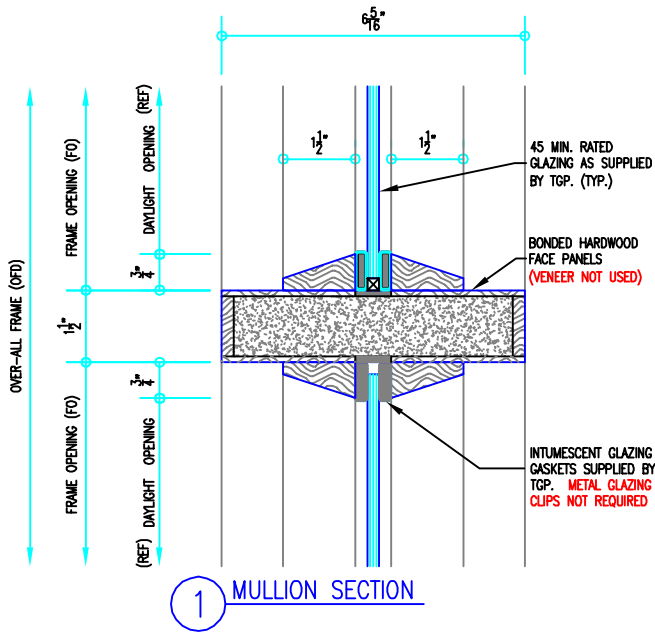
3 HEAD SECTION

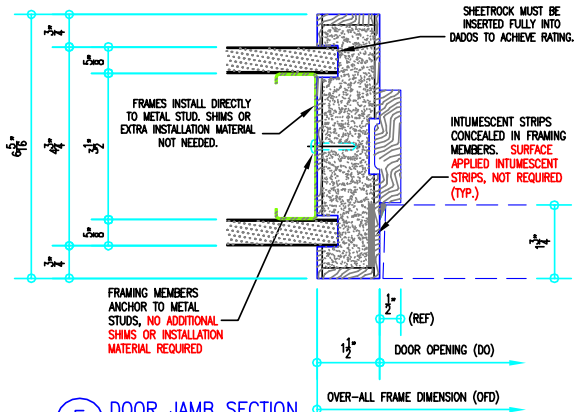


2 SILL SECTION

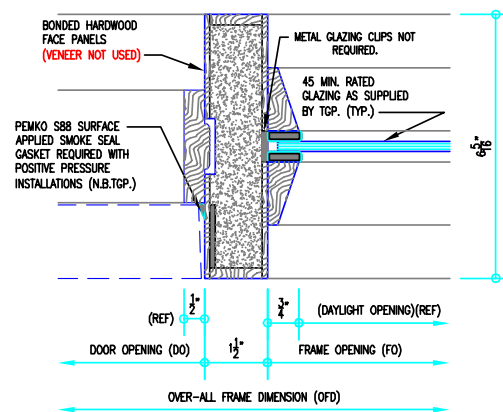


4 DOOR HEADER SECTION

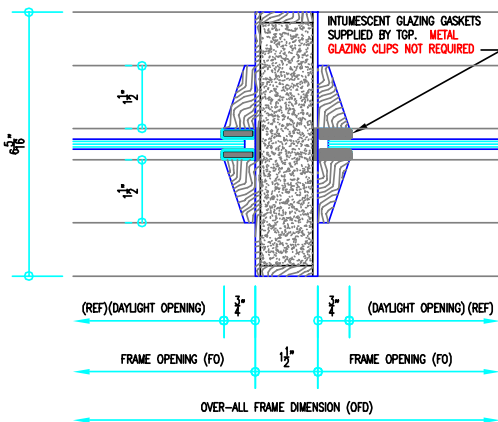




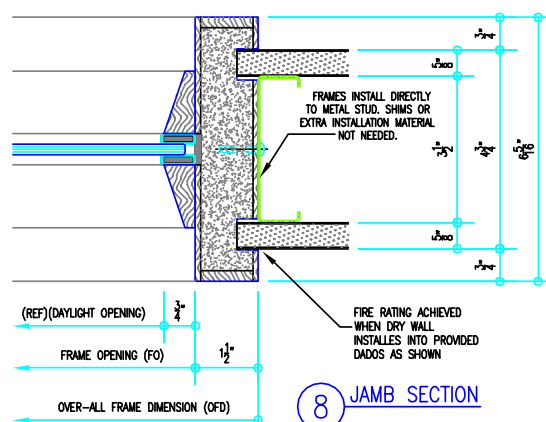
5 DOOR JAMB SECTION



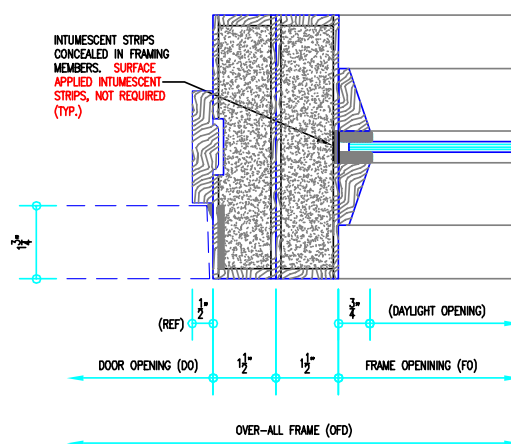
6 COMMON MULLION SECTION



7 MULLION SECTION



8 JAMB SECTION



9 BACK TO BACK MULLION SECTION