

FIRE-RATED STEEL CURTAIN WALL FOR HURRICANE APPLICATIONS

Designed for Hurricane applications (maximum design loads up to +/-110 psf)---highest wind load of any fire-rated curtain wall on the market, Fireframes® Curtainwall Hurricane Series incorporates precise European engineering resulting in narrow steel profiles.

 **FIRE RATING**
60 / 120 MINUTES


FEATURES







- Fire ratings of 60 and 120 minutes with required hose stream test
- Maximum design load up to ± 110 psf
- Narrow steel profiles
- Air and water pressure tested and approved for exterior use
- Easy installation similar to typical pressure plate curtain wall
- Frames supplied “K-D” (knock down) ready for installation or welded depending on application
- Insulated glass unit (IGU) comprised of large panes of Pilkington Pyrostop® fire-resistive-rated glass and HVHZ glass (high velocity hurricane zone for large missile)
- Pilkington Pyrostop fire-resistive-rated glass is composed of Pilkington OptiWhite™ glass and clear intumescent interlayers
- 60 minute Pilkington Pyrostop is also available with a translucent interlayer
- Durable steel frames ensure low maintenance system
- Finished face caps (aluminum or stainless steel) to meet project needs
- Custom aluminum face caps to meet project needs
- Finish painted at the factory to match desired color scheme


LISTINGS/STANDARDS

Classified and labeled by Underwriters Laboratories Inc. and Underwriters Laboratories of Canada. File number R38707, design number U537 (W473 Canada). Florida State Product approval # FL 24474.1. Frame tests performed in accordance with:

UL 9	NFPA 251	CAN/ULC-S101	ASTM E119	LARR 25798	AAMA 501.1	TAS 201
UL 263	NFPA 257	CAN/ULC-S106	ASTM E283		AAMA 506	TAS 202
			ASTM E330			TAS 203
			ASTM E331			
			ASTM E1996			
			ASTM E1886			

 BIM 3D Model

-  Fire-Rated
-  Hose Stream Tested
-  Heat Barrier
-  Positive Pressure Tested
-  Hurricane Rated
-  UL Classified & Labeled



**NORTH AMERICA'S
MOST SPECIFIED
FIRE-RATED GLASS COMPANY**

FRAMING

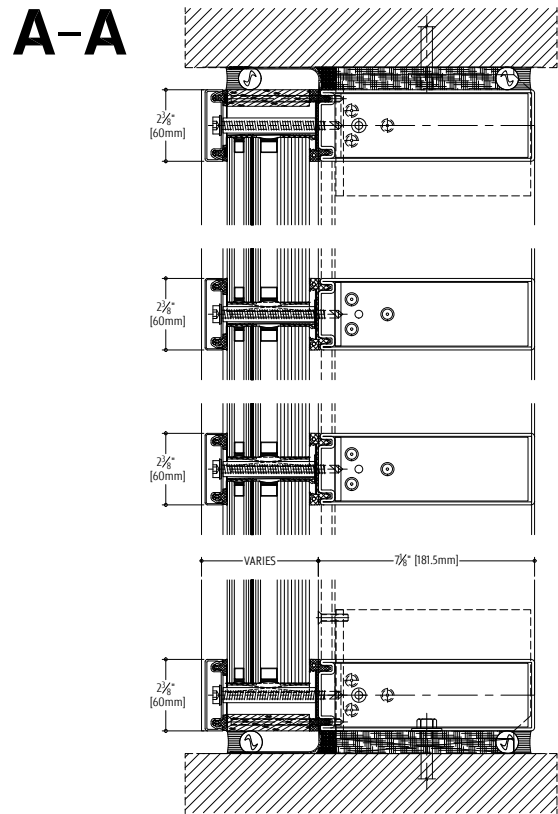
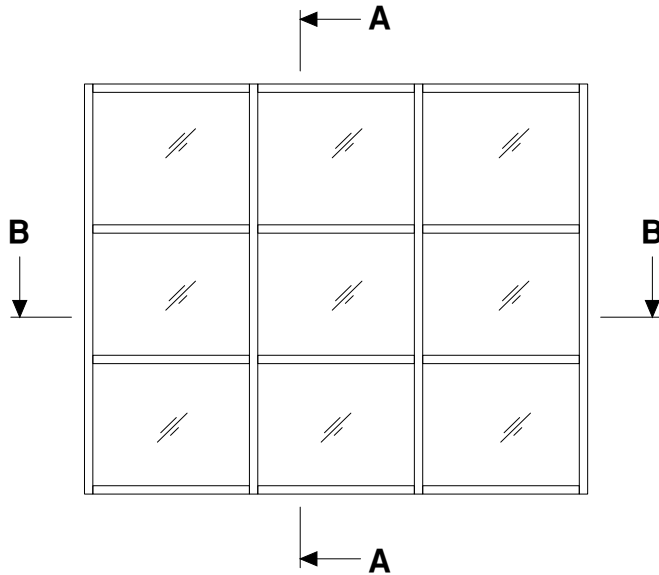
RATING	MAX. SINGLE DOOR LEAF SIZE	MAX. EXPOSED GLASS SIZE PER PIECE
Fireframes Curtainwall Hurricane Series		
60 min.*	5,604 in ² (3.62 m ²)	96 in (2.44 m)
120 min.*	3,730 in ² (2.41 m ²)	96 in (2.44 m)

* 60 and 120-minute tests conducted per UL 263 / ASTM E-119.

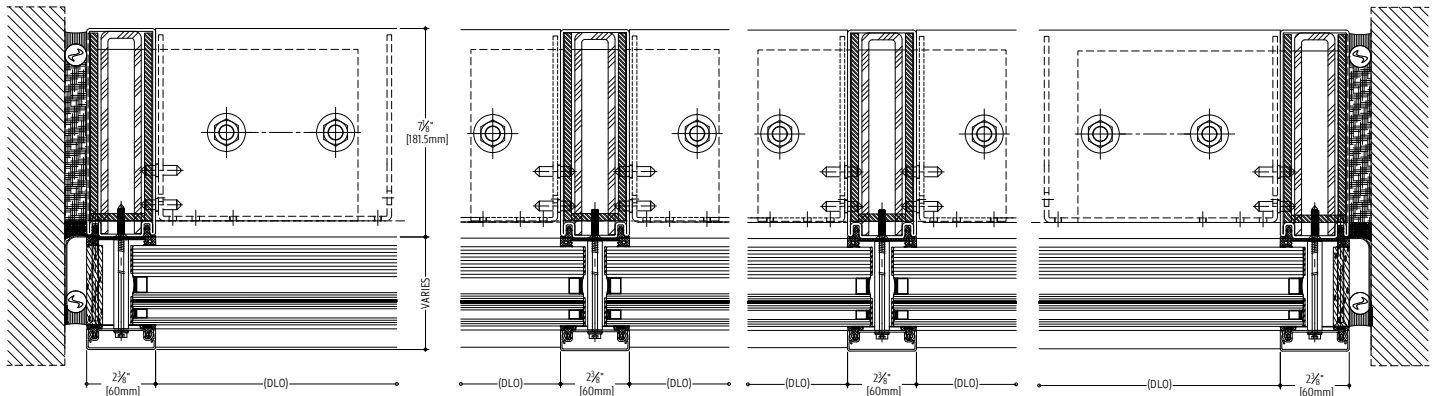
Therefore assembly is classified as a wall assembly, and not subject to "opening" area limitations.

Note: Individual lite sizes cannot exceed "Max. Exposed Area" shown above.

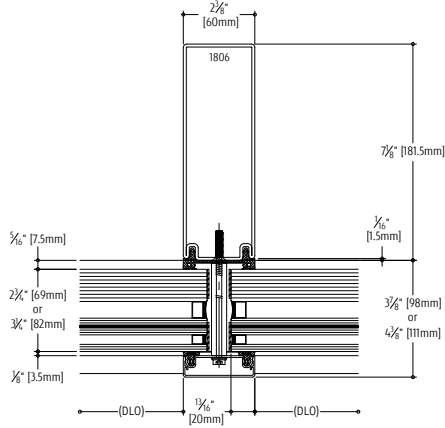
DETAIL DRAWINGS



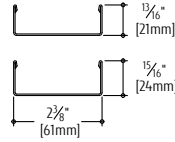
B-B



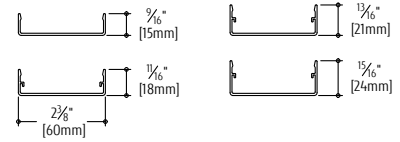
60 MM MULLION PROFILE OPTIONS



STAINLESS STEEL COVER CAPS



ALUMINUM COVER CAPS



FIRE-RATING	MANUFACTURER'S DESIGNATION	NOMINAL THICKNESS	WEIGHT APPROX.	MAKE-UP
Pilkington Pyrostop® for Fireframes® Curtainwall Hurricane Series				
60 min.	60-260 HR Triple	2-3/4" (69 mm)	22.22 lb / ft ² (108.5 kg / m ²)	6 mm (1/4") tempered glass 8 mm spacer 14 mm hurricane impact laminated glass interlayer 14 mm spacer 27 mm PS 60-201 (also available with a translucent interlayer)
60 min.	60-360 HR Triple	2-3/4" (69 mm)	22.22 lb / ft ² (108.5 kg / m ²)	6 mm (1/4") tempered glass (coated) 8 mm spacer 14 mm hurricane impact laminated glass interlayer 14 mm spacer 27 mm PS 60-201 (also available with a translucent interlayer)
120 min.	120-260 HR Triple	3-1/4" (82 mm)	27.96 lb / ft ² (136.50 kg / m ²)	6 mm (1/4") tempered glass 8 mm spacer 14 mm hurricane impact laminated glass interlayer 14 mm spacer 40 mm PS 120-202
120 min.	120-360 HR Triple	3-1/4" (82 mm)	27.96 lb / ft ² (136.50 kg / m ²)	6 mm (1/4") tempered glass (coated) 8 mm spacer 14 mm hurricane impact laminated glass interlayer 14 mm spacer 40 mm PS 120-202