

FIRE-RATED, SAFETY-RATED GLASS FLOORING SYSTEM

This advanced glass floor system is impact-resistant and fire-rated for two hours. Fireframes ClearFloor System can be used as a durable, non-slip walking surface, and is approved for loads up to 150 psf.

 **FIRE RATING**
UP TO 120 MINUTES

FEATURES

- Fire-rated for up to 120 minutes with required hose stream test
- Allows glazing in spaces that previously would have required alternative opaque fire-stopping materials like concrete and corrugated steel
- Consists of two-hour fire-rated Pilkington Pyrostop® glass; a tempered, laminated walking surface glass; and a steel framing grid
- Impact safety-rated – meets CPSC 16CFR1201 (Cat. II)
- Brings daylight deep into building interiors, creating dramatic visual effects between different building levels
- Individual glass panel sizes are approximately 48" x 50" (1.21 m x 1.27 m)
- Protection against radiant and conductive heat transfer
- Barrier to fire and smoke
- Durable, non-slip walking surface
- Modular system enables design creativity
- Replacement of individual walking surface panels in case of impact breakage
- Allows for decorative color frits and sandblasted glass without affecting fire rating
- For use in interior applications

LISTINGS/STANDARDS

Classified and labeled with Underwriters Laboratories, Inc.® and Underwriters Laboratories of Canada. File number is R25274 (walls), design number C901 (B901 Canada). Tests performed in accordance with:

UL 263 | NFPA 251 | CAN/ULC-S101 | ASTM E119 | LARR 25798

SPECIFICATIONS

Complete 3-part CSI format specifications are available online at fireglass.com, or by calling 800.426.0279.

STORAGE & HANDLING

Pilkington Pyrostop must be handled with care during transportation, storage, inspection and installation. It should be stored in dry conditions, stocked vertically and fully supported in a manner which prevents the glass from sagging. During storage and transportation, the temperature of Pilkington Pyrostop should not exceed 122°F (50°C). Do not expose the "non-PVB" side of the glass to UV light. Do not remove the protective edge tape. See manufacturer's installation and warranty information for further details.



BIM 3D Model



Fire-Rated



Hose Stream Tested



Heat Barrier



Load Bearing



Impacted Rated

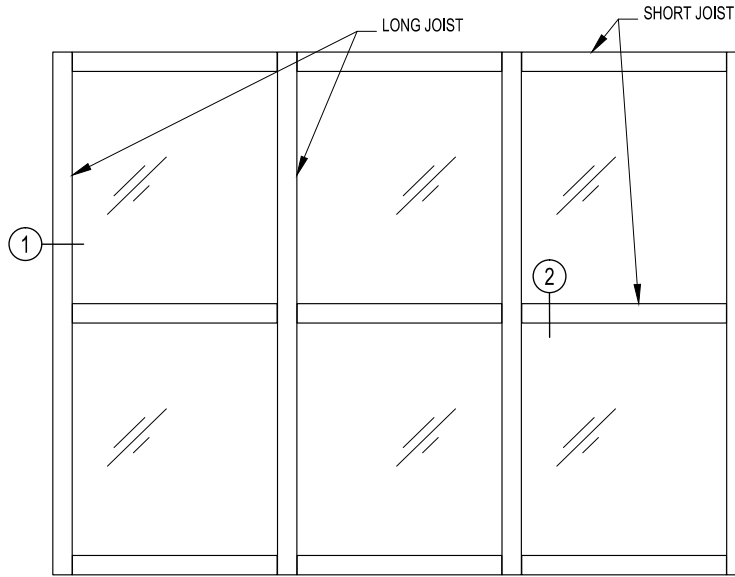


UL Classified & Labeled



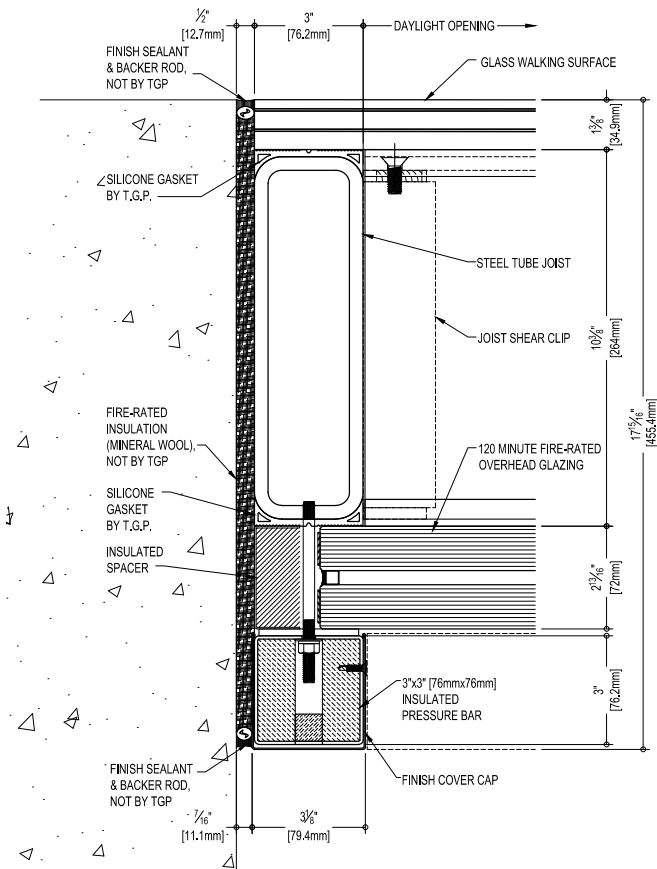
NORTH AMERICA'S
MOST SPECIFIED
FIRE-RATED GLASS COMPANY

PLAN VIEW



MAXIMUM INDIVIDUAL GLASS PANEL SIZE APPROXIMATELY 48" X 50" (1.21m x 1.27m)

1 CROSS SECTION AT EDGE CONDITION



2 SHORT JOIST CROSS SECTION

